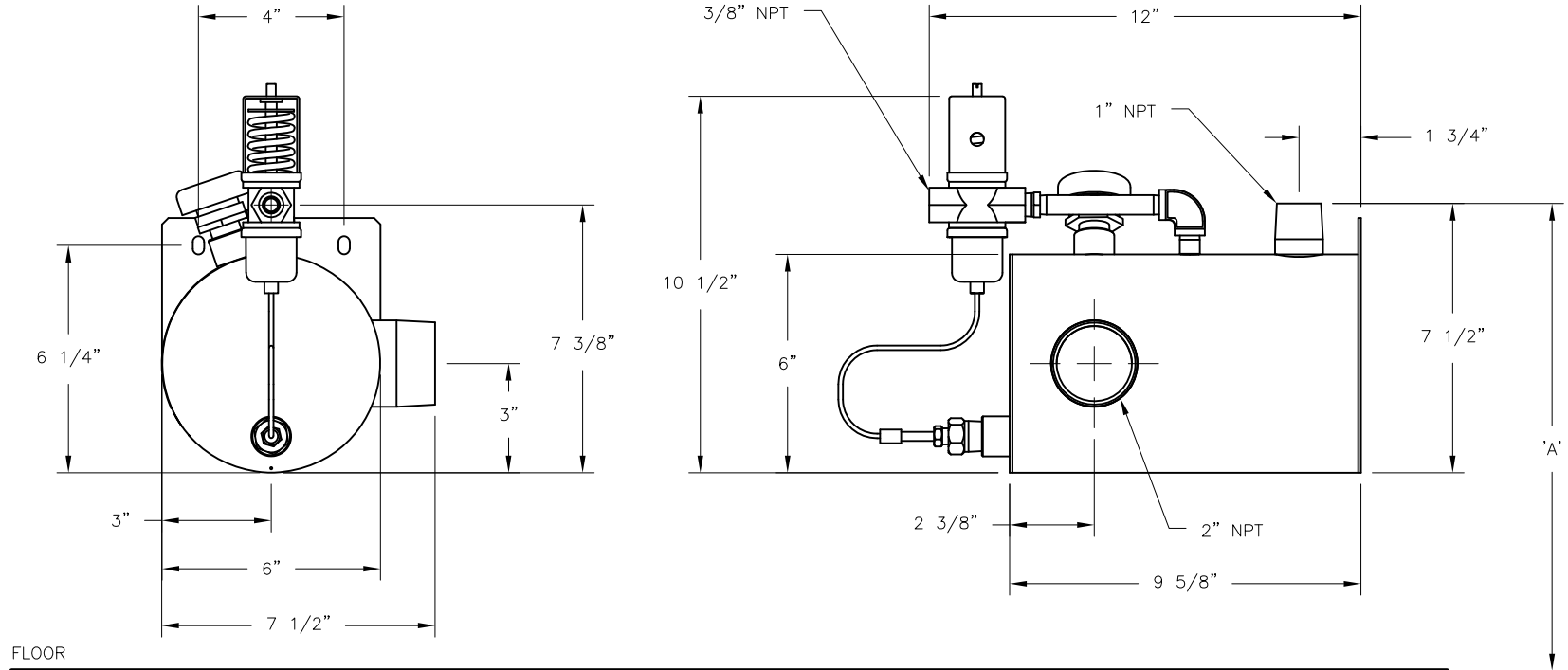


CONFIDENTIAL

DATE	REV	RECORD	DR
8/21	A	SUBMITTAL	JK



NOTE:

1. HEIGHT WITH FLOOR STAND.
'A' DIMENSION = 8-1/4" TO 12-1/4".
2. HEIGHT WITH FLOOR STAND AND EXTENSION.
'A' DIMENSION = 13-1/4" TO 20-1/4".

	DRANE KOOLER DK-12	
	MAT'L:	
	SCALE: 1:5	P/N
	DRAWN BY: JK	GENERIC SUBMITTAL
	DATE: 8/3/21	