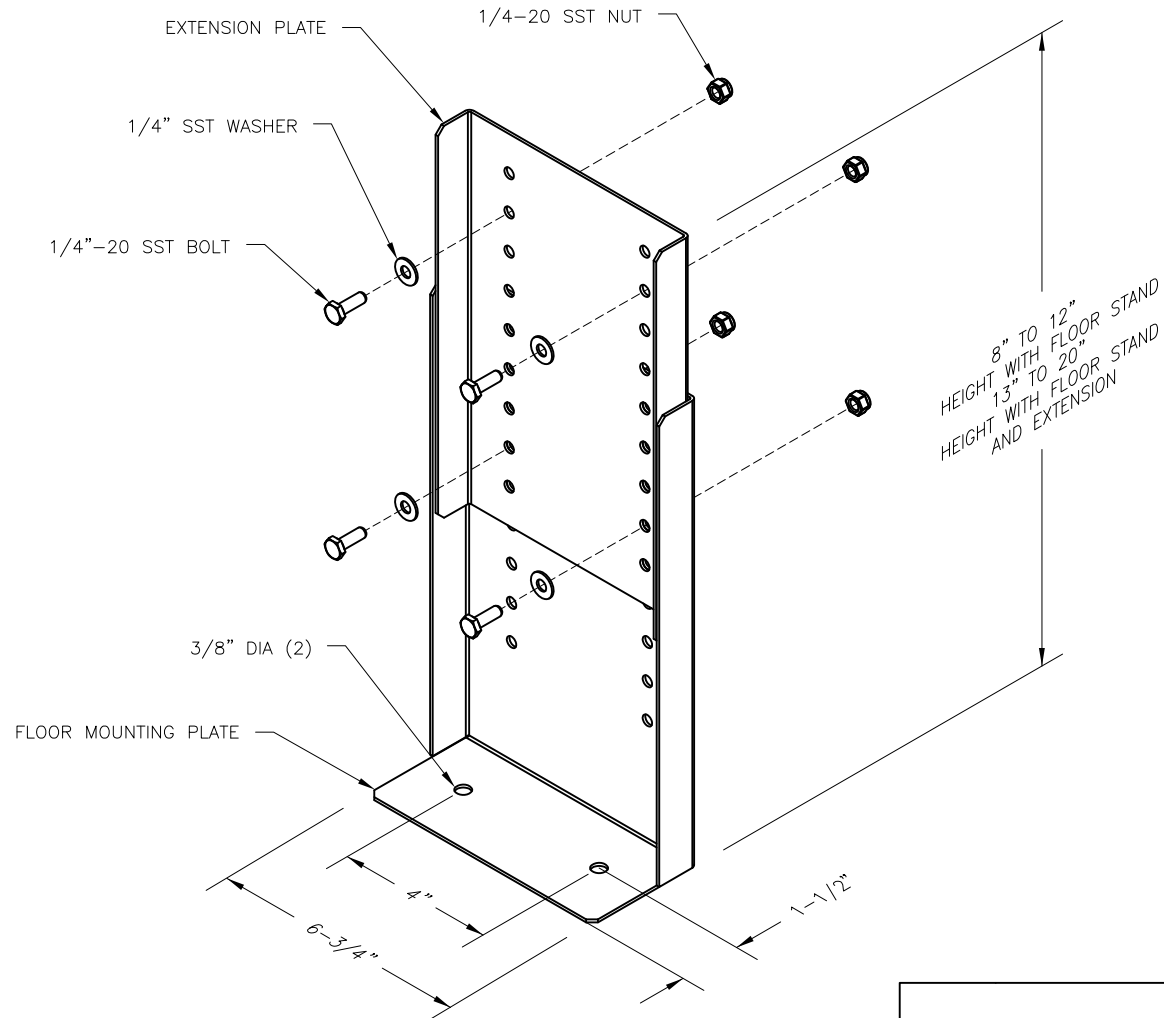


CONFIDENTIAL

DATE	REV	RECORD	DR
8/21	A	SUBMITTAL	JK



		FLOOR STAND ASSEMBLY, DRANE COOLER	
		MAT'L:	
SCALE: 1:4	P/N	GENERIC SUBMITTAL	
DRAWN BY: JK	DATE: 8/4/21		