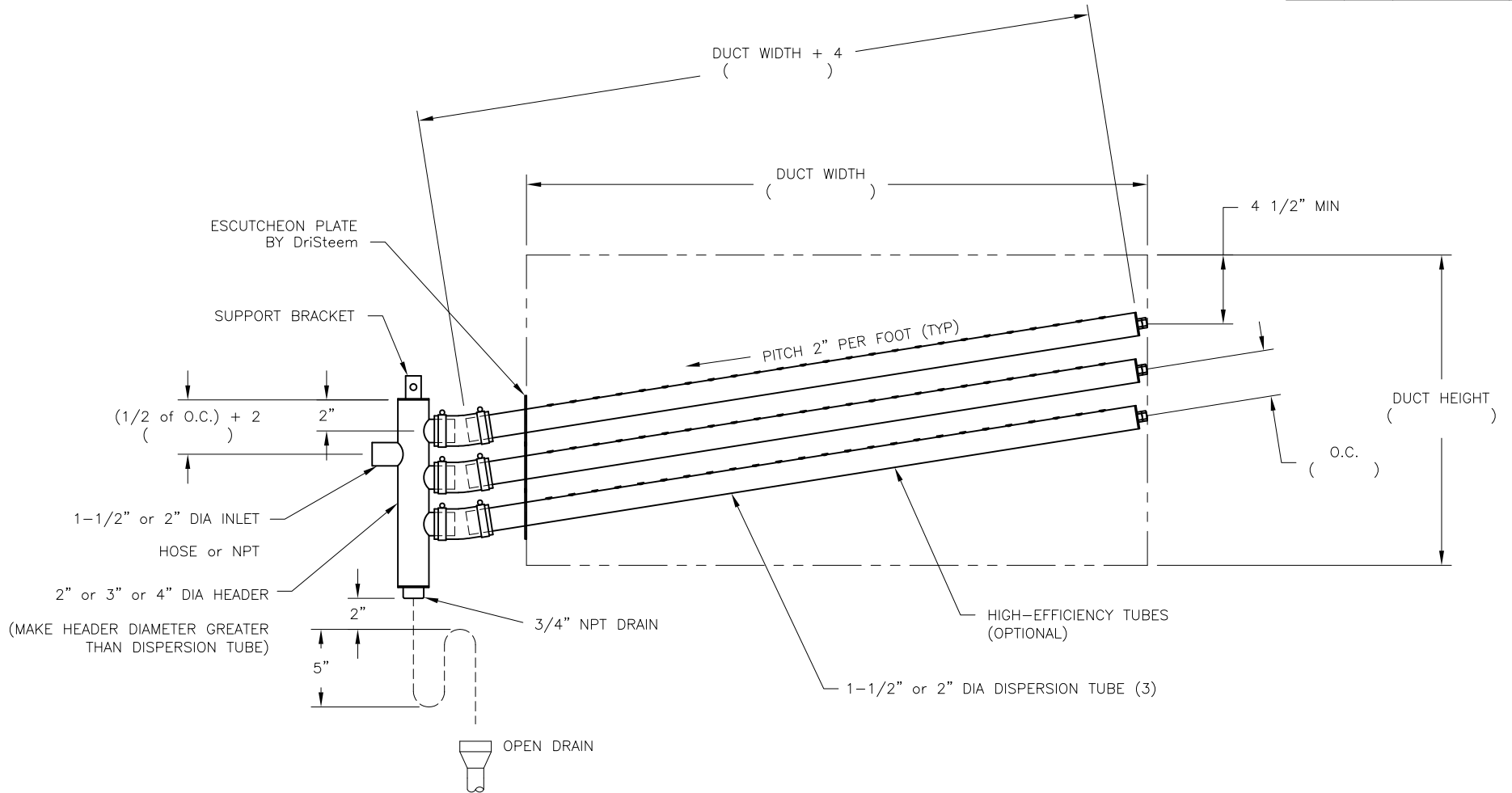


CONFIDENTIAL

DATE	REV	RECORD	DR
8/21	A	SUBMITTAL	JK



NOTE:
ALL DASHED PIPING BY OTHERS.

PROJECT:
TAG:
MAX CAPACITY:

		F-TUBE	
		MAT'L:	
SCALE: 1:10		P/N	
DRAWN BY: JK		GENERIC SUBMITTAL	
DATE: 8/3/21			