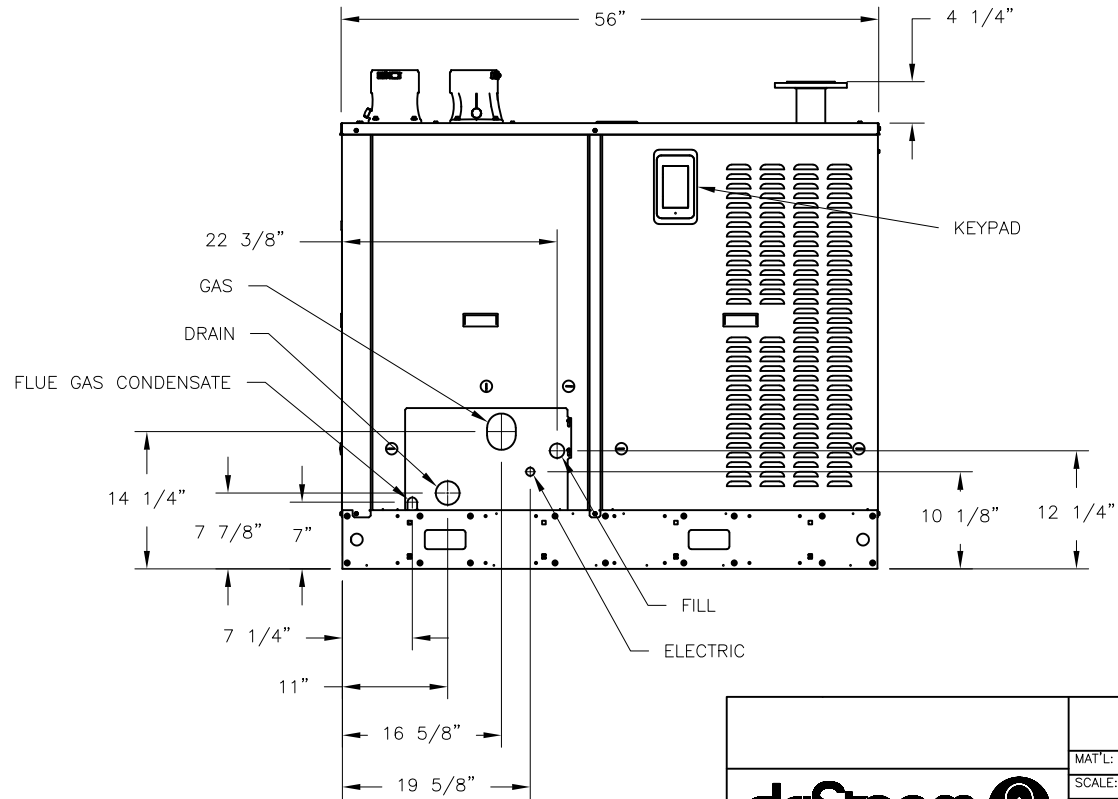
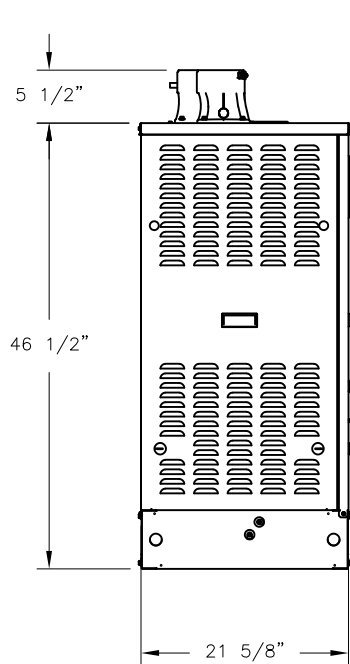
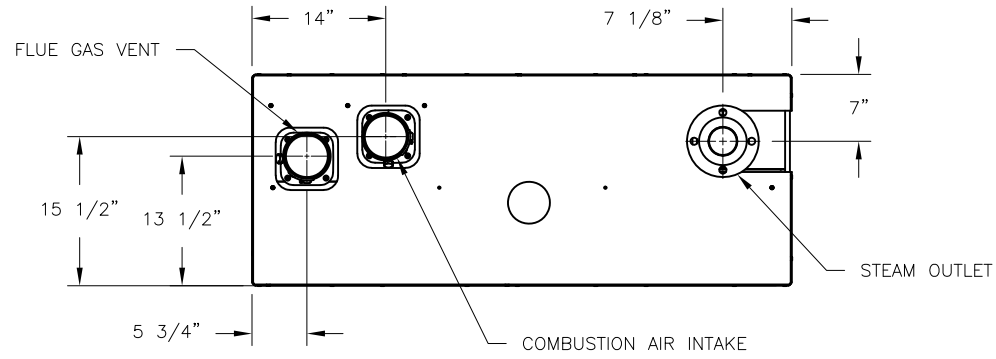


CONFIDENTIAL

DATE	REV	RECORD	DR
8/21	A	SUBMITTAL	JK



	GTS LX 200-250-300 INDOOR	
	MAT'L:	
	SCALE: 1:20	P/N
	DATE: 3/4/19	GENERIC SUBMITTAL