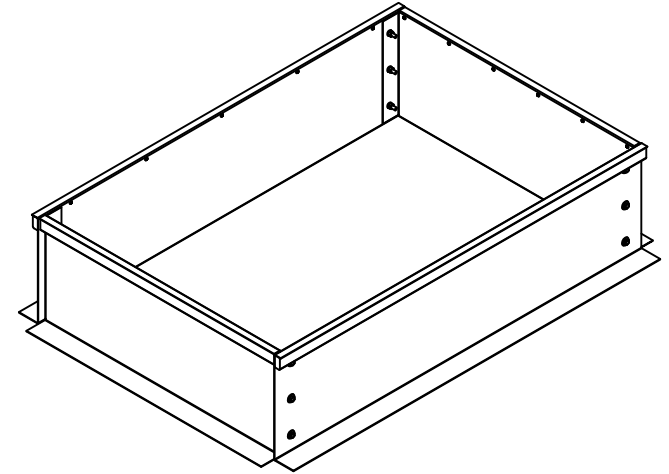
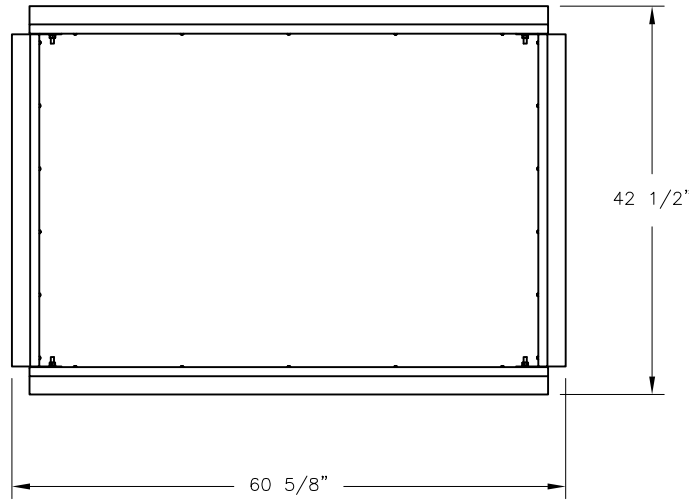
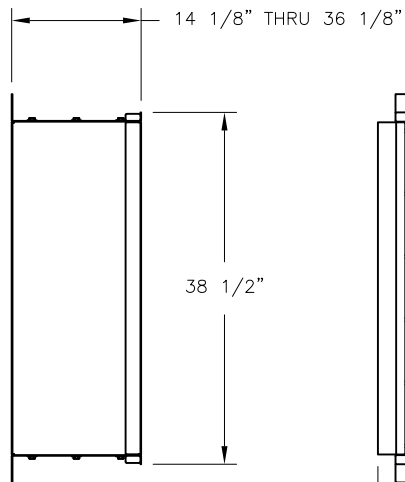
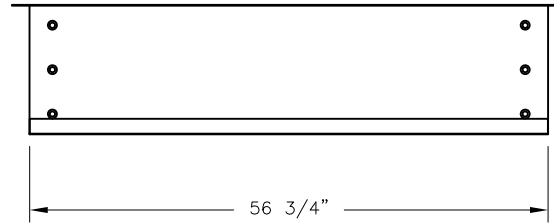



CONFIDENTIAL

DATE	REV	RECORD	DR
8/21	A	SUBMITTAL	JK



	GTS LX 400-500-600 CURB ASSY	
	MAT'L:	P/N
	SCALE: 1:21	GENERIC SUBMITTAL
DRAWN BY: JK		
DATE: 8/4/21		