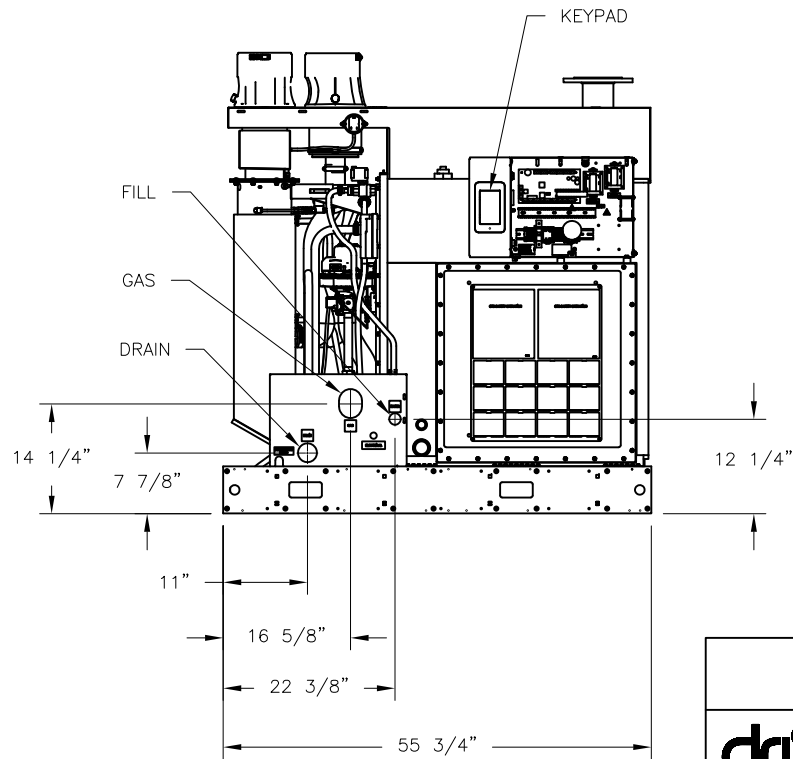
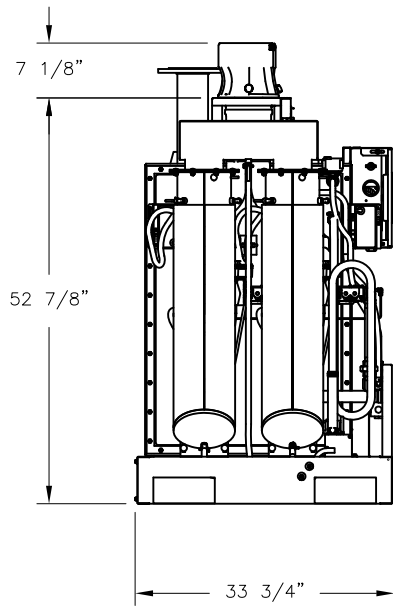
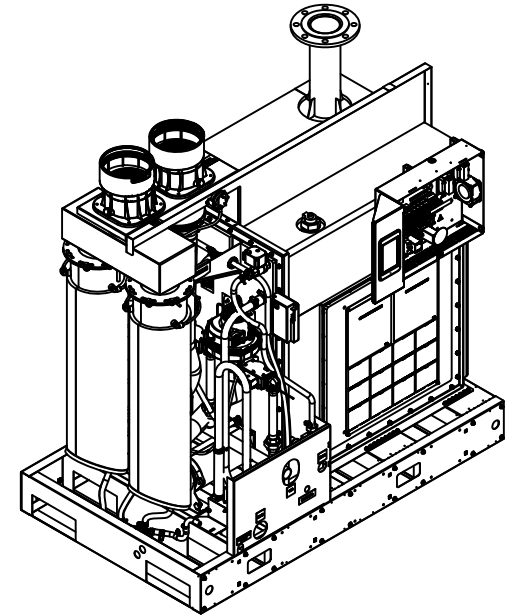
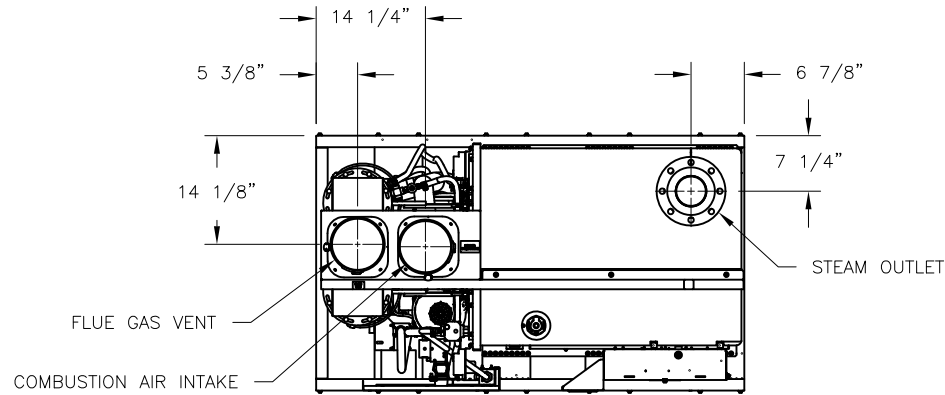


CONFIDENTIAL

DATE	REV	RECORD	DR
8/21	A	SUBMITTAL	JK



	GTS LX 400/500/600 NO ENCLOSURE	
	MAT'L:	
	SCALE: 1:25	P/N
	DATE: 8/4/21	GENERIC SUBMITTAL