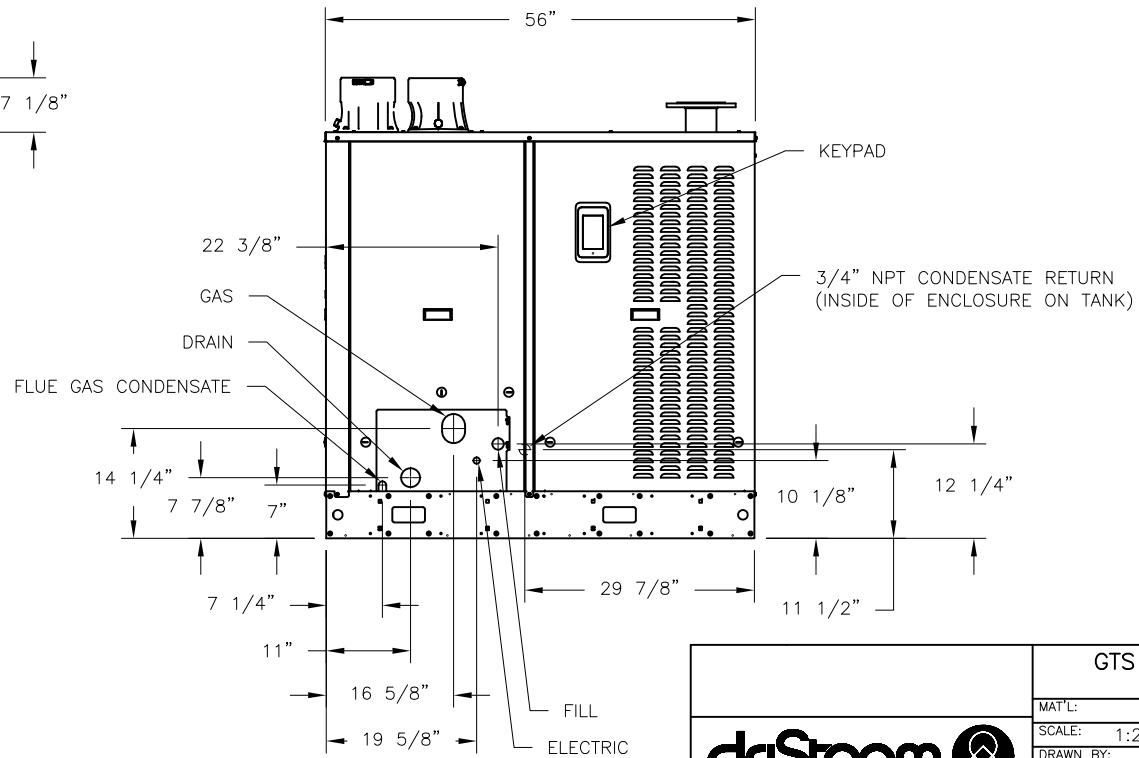
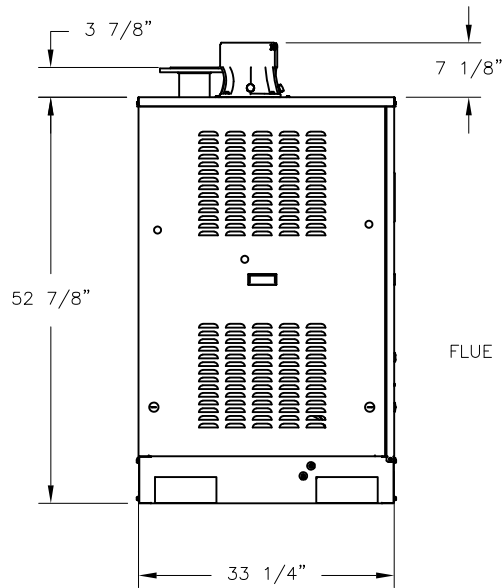
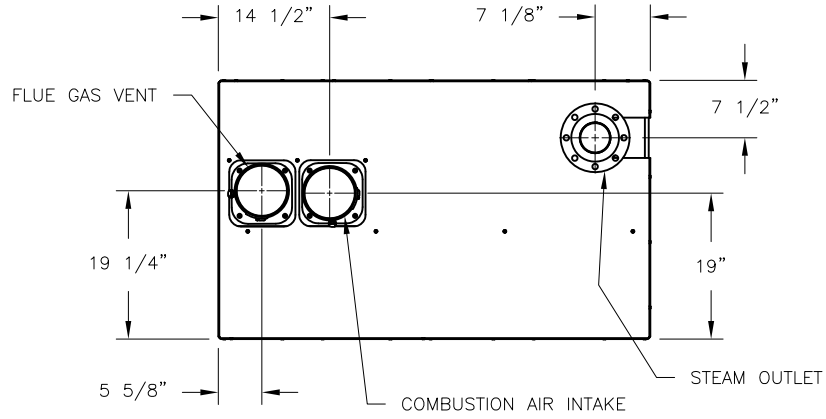


CONFIDENTIAL

DATE	REV	RECORD	DR
8/21	A	SUBMITTAL	JK



		GTS LX 400-500-600 INDOOR	
		MAT'L:	P/N
SCALE:	1:25	DRAWN BY: JK	
DATE:	8/4/21	GENERIC SUBMITTAL	