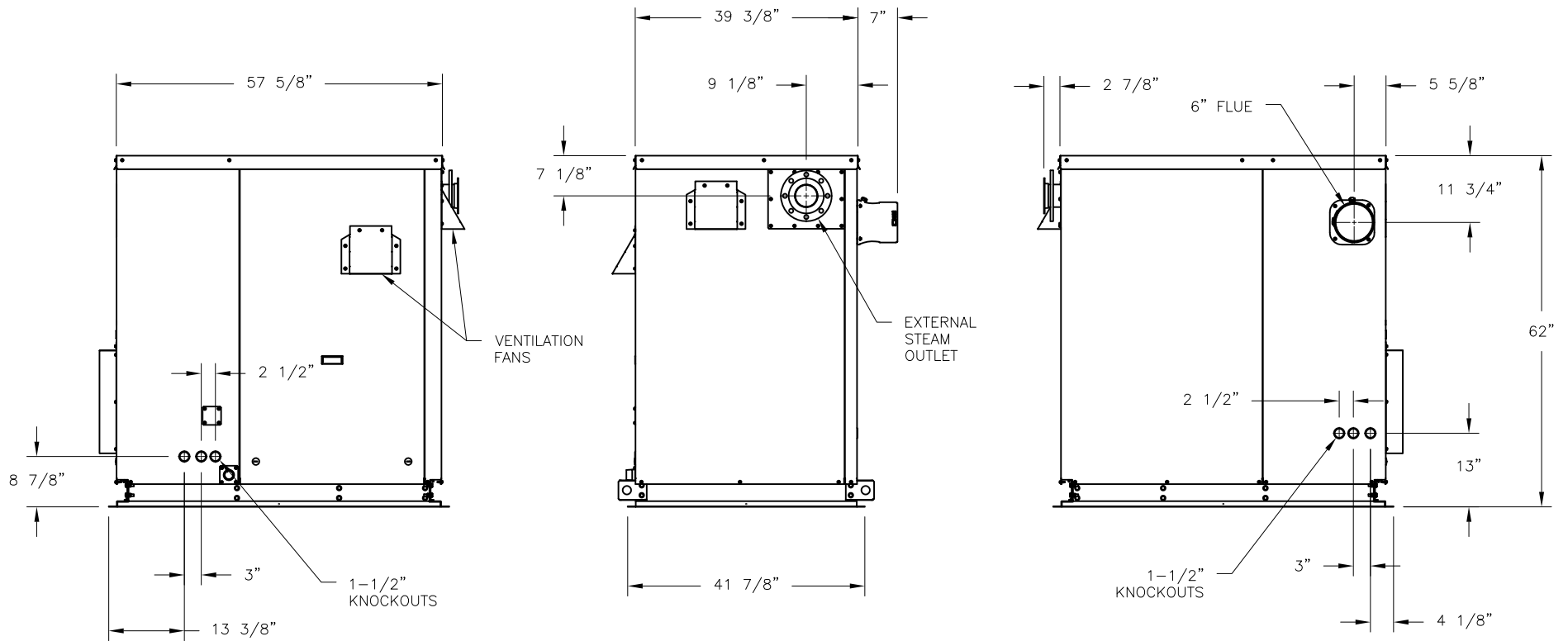


CONFIDENTIAL

DATE	REV	RECORD	DR
8/21	A	SUBMITTAL	JK



	GTS LX 400-500-600 OUTDOOR ENCLOSURE	
	MAT'L:	
	SCALE: 1:28	P/N
	DRAWN BY: JK	GENERIC SUBMITTAL
	DATE: 8/4/21	