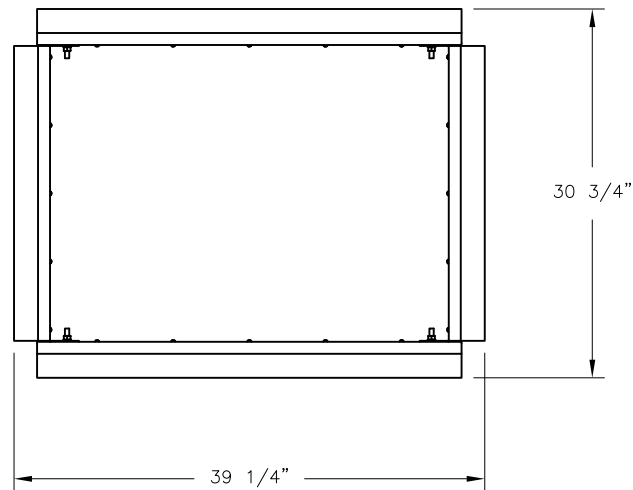
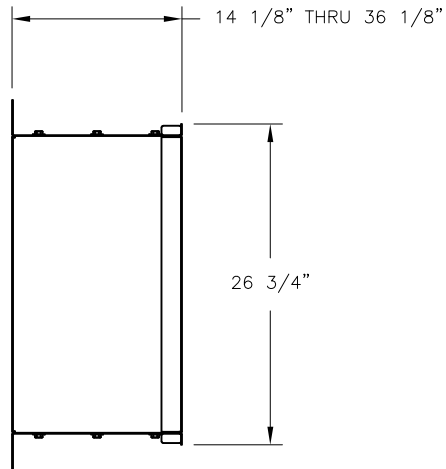
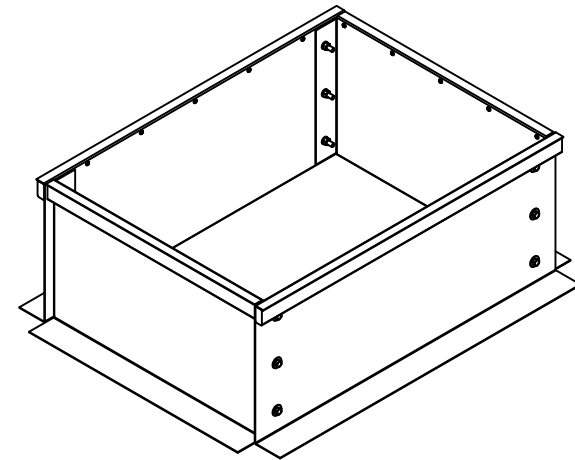
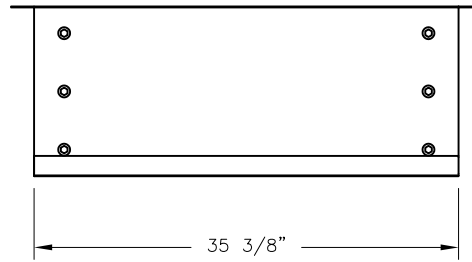


CONFIDENTIAL

DATE	REV	RECORD	DR
8/21	A	SUBMITTAL	JK



	GTS LX 50-75-100 CURB ASSY	
	MAT'L:	
	SCALE: 1:16	P/N
	DRAWN BY: JK	GENERIC SUBMITTAL
	DATE: 8/4/21	