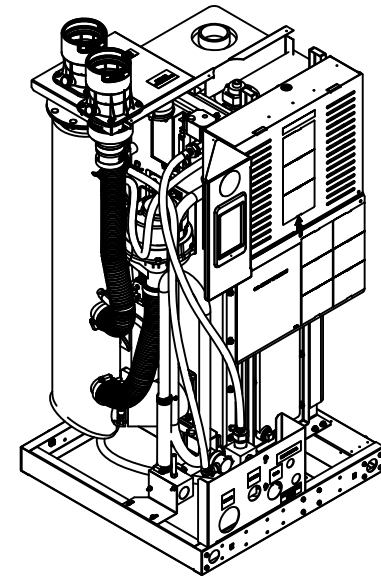
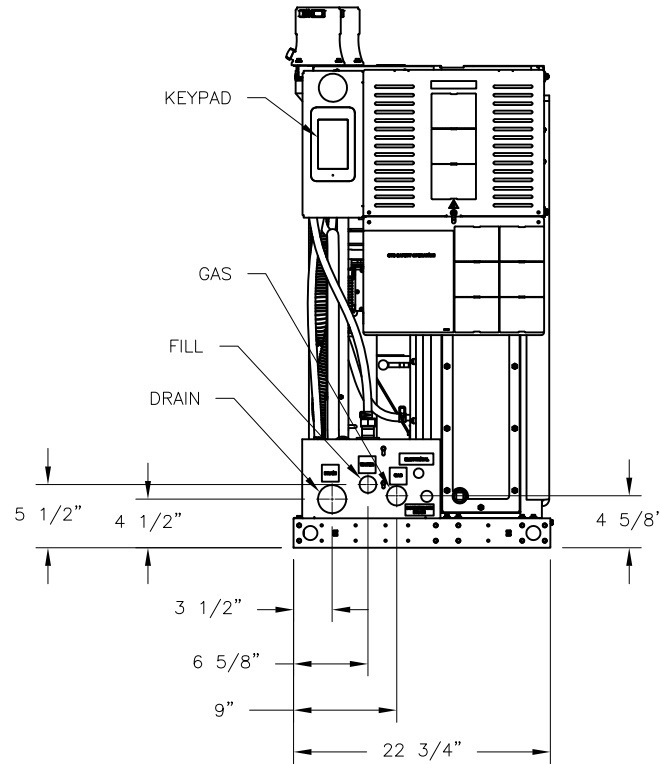
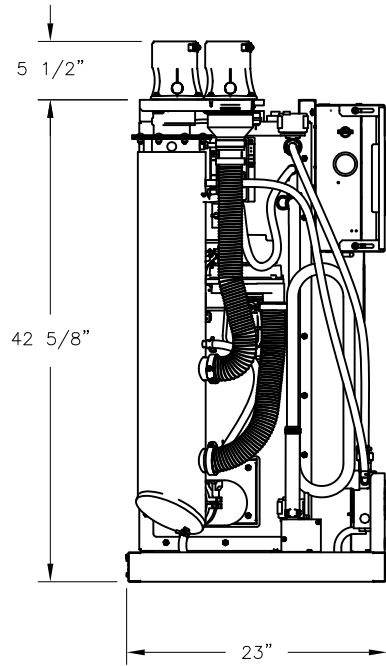
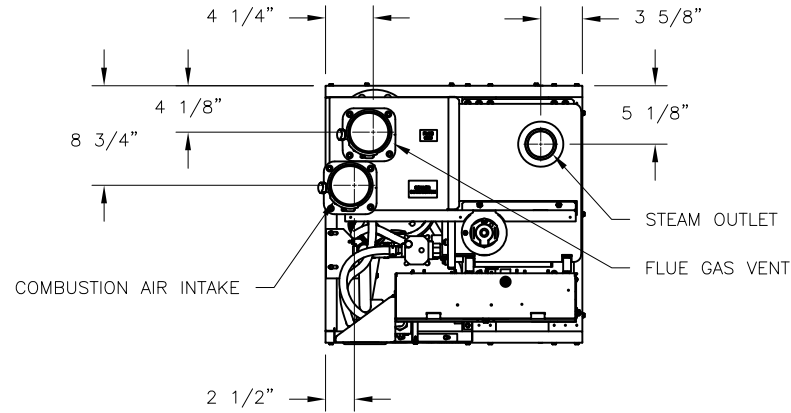


CONFIDENTIAL

DATE	REV	RECORD	DR
8/21	A	SUBMITTAL	JK



	GTS LX 50-75-100 INDOOR NO ENCLOSURE	
	MAT'L:	
	SCALE: 1:17	P/N
	DRAWN BY: JK	GENERIC SUBMITTAL
DATE: 8/4/21		