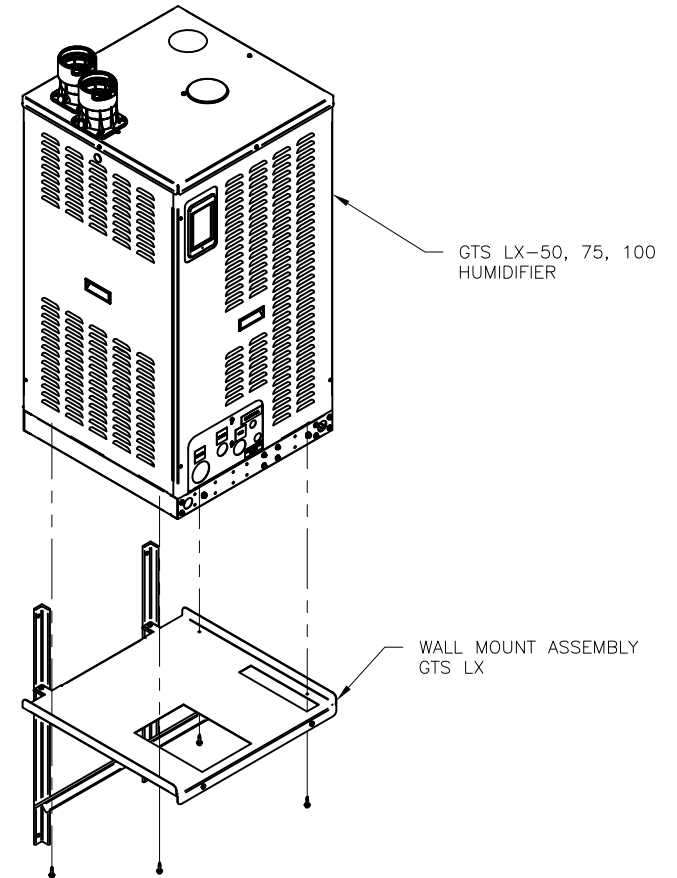
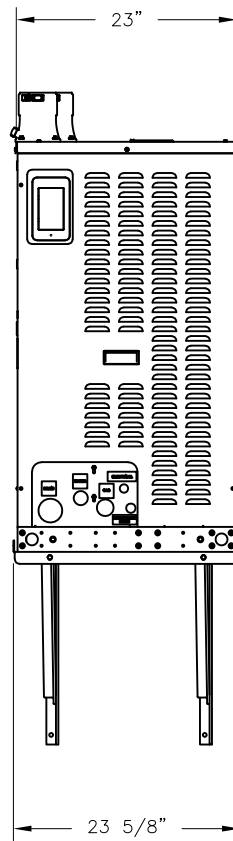
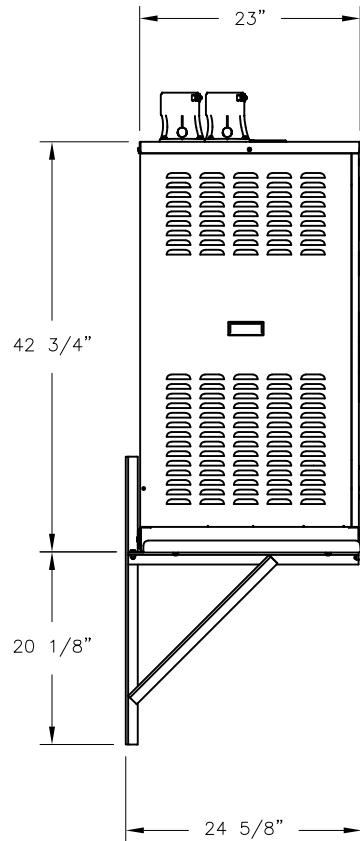


CONFIDENTIAL

DATE	REV	RECORD	DR
1/24	A	SUBMITTAL	JK



	GTS LX 50-75-100 WITH WALL MOUNT	
	MAT'L:	
	SCALE: 1:20	P/N
	DRAWN BY: JK	GENERIC SUBMITTAL
	DATE: 1/25/24	