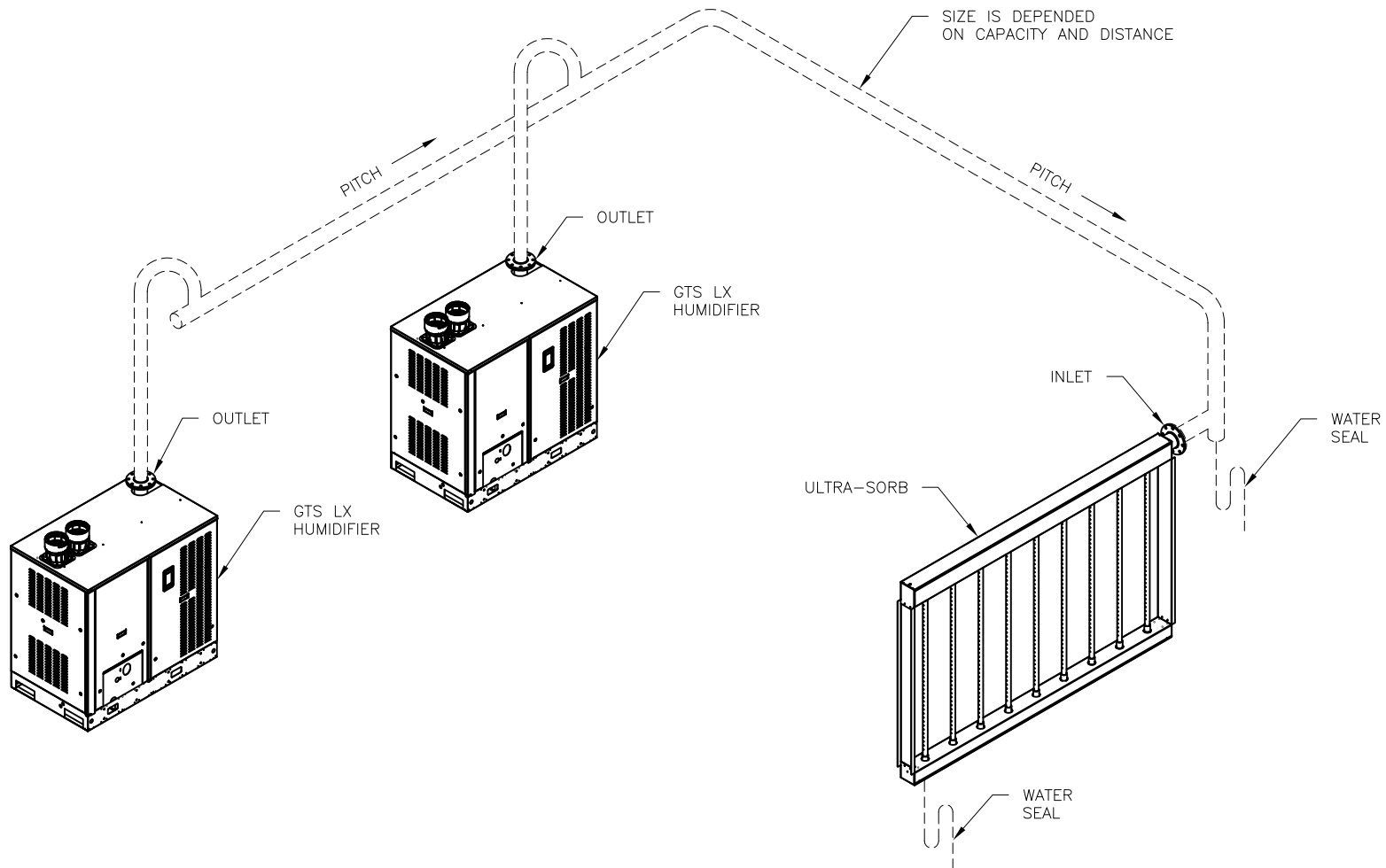



CONFIDENTIAL

DATE	REV	RECORD	DR
9/22	A	SUBMITTAL	JK



	GTS LX HUMIDIFIERS WITH US-LV	
	MAT'L:	
	SCALE: 1:52	P/N
	DRAWN BY: JK	GENERIC SUBMITTAL
DATE: 9/19/22		