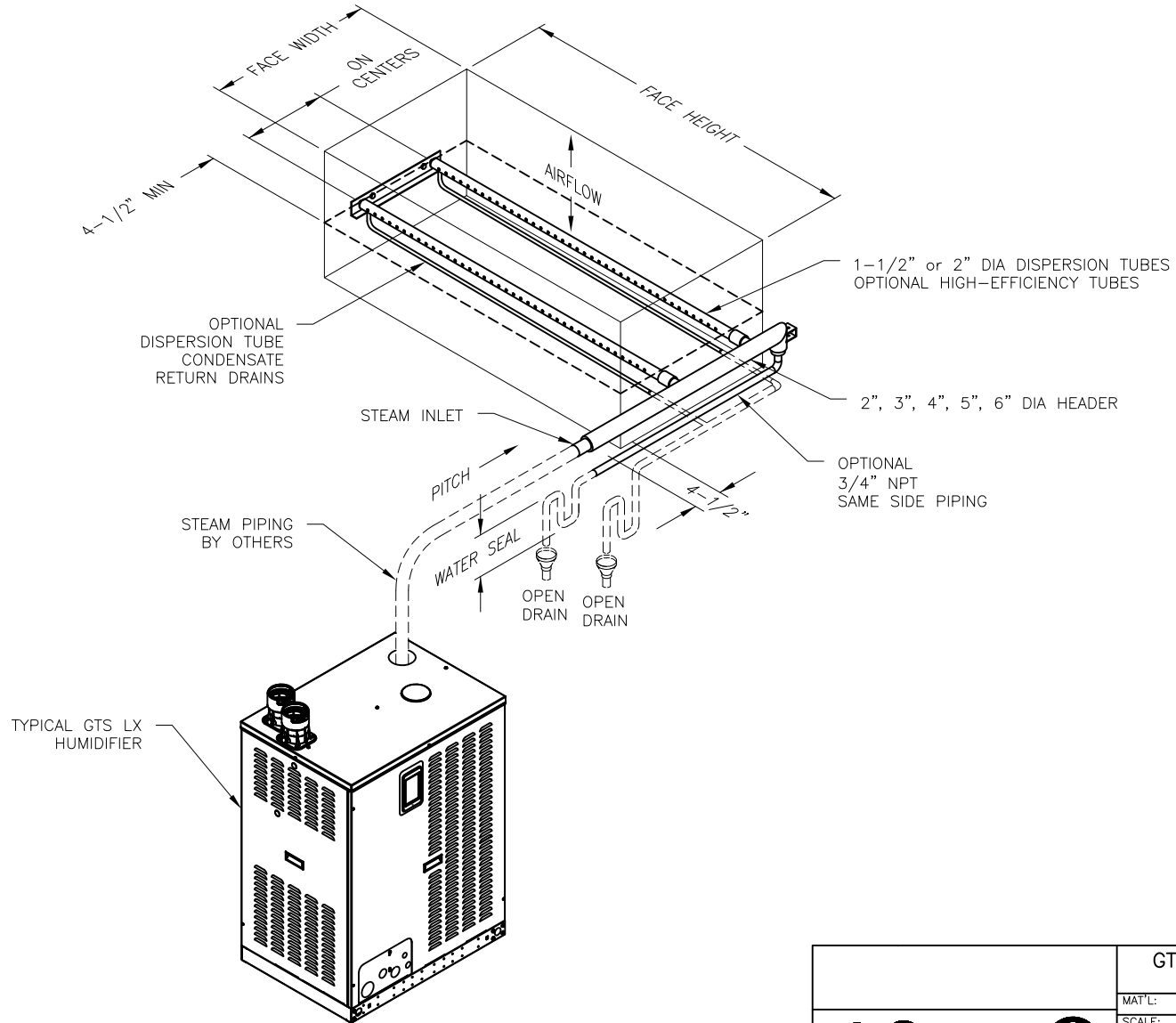



CONFIDENTIAL

DATE	REV	RECORD	DR
11/21	A	SUBMITTAL	JK



		GTS LX WITH RAPID-SORB VERTICAL AIRFLOW	
		MAT'L:	P/N
SCALE:	1:25	GENERIC SUBMITTAL	
DRAWN BY:	JK		
DATE:	11/29/21		