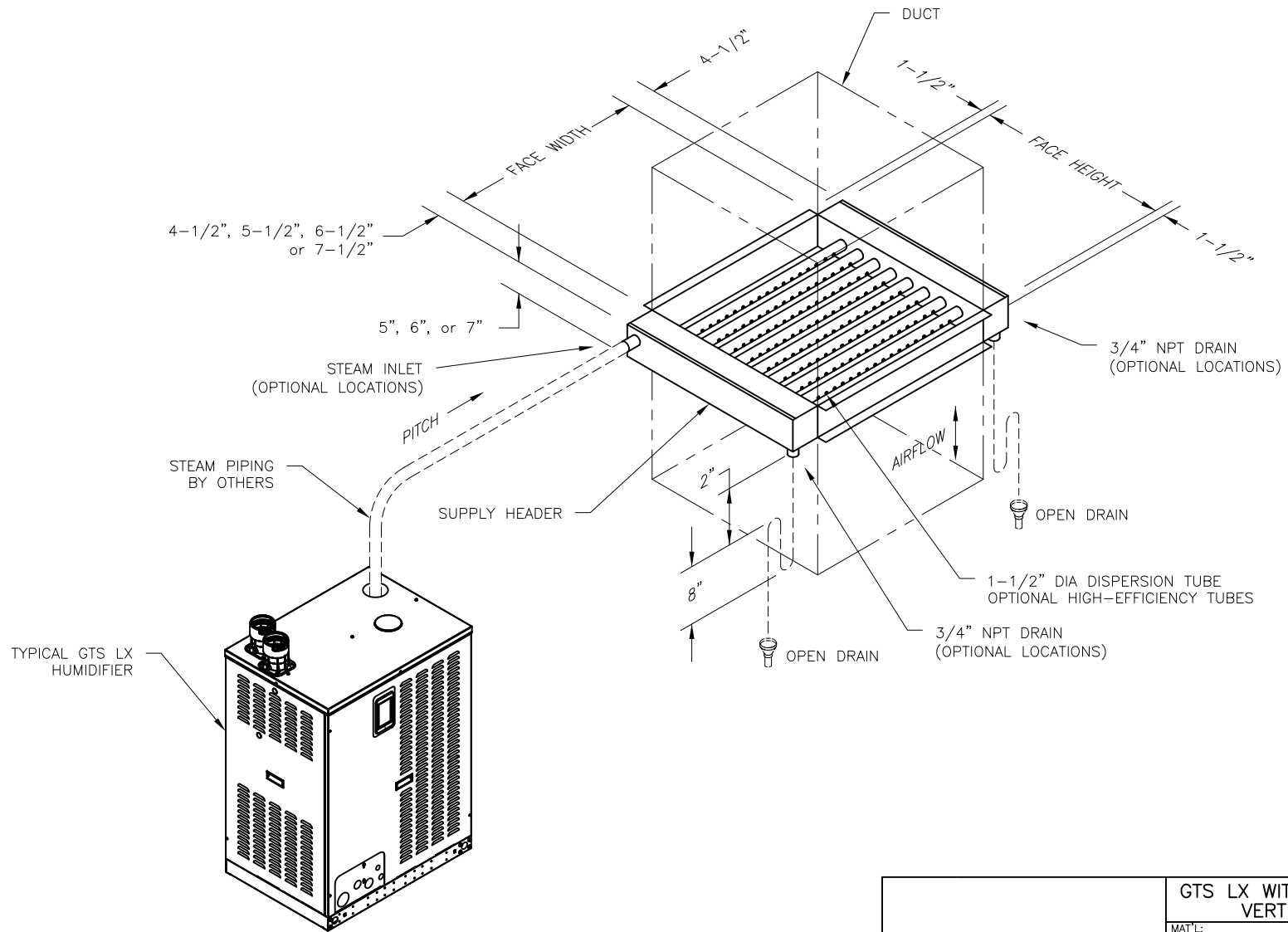



CONFIDENTIAL

DATE	REV	RECORD	DR
12/21	A	SUBMITTAL	JK



		GTS LX WITH ULTRA-SORB LH VERTICAL AIRFLOW	
		MAT'L:	
SCALE: 1:25	P/N	GENERIC SUBMITTAL	
DRAWN BY: JK			
DATE: 12/13/21			