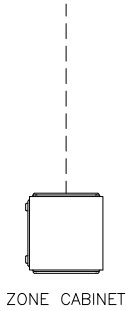


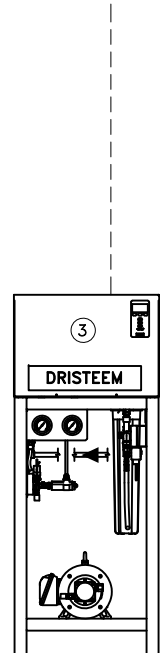
CONFIDENTIAL

DATE	REV	RECORD	DR
8/21	A	SUBMITTAL	JK
10/22	B	SUBMITTAL	JK
5/24	C	SUBMITTAL	JK

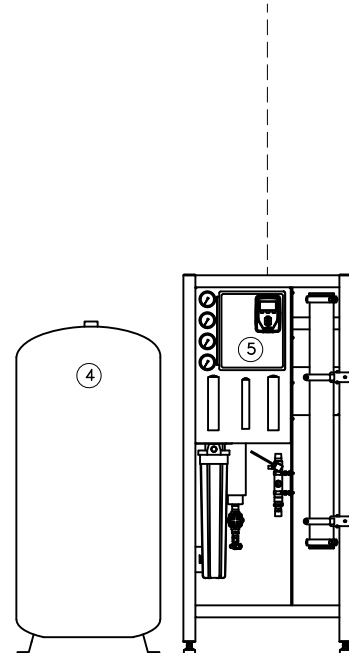
REFERENCE DETAIL REPORT FOR
VAC/PHASE/FREQUENCY/AMPS



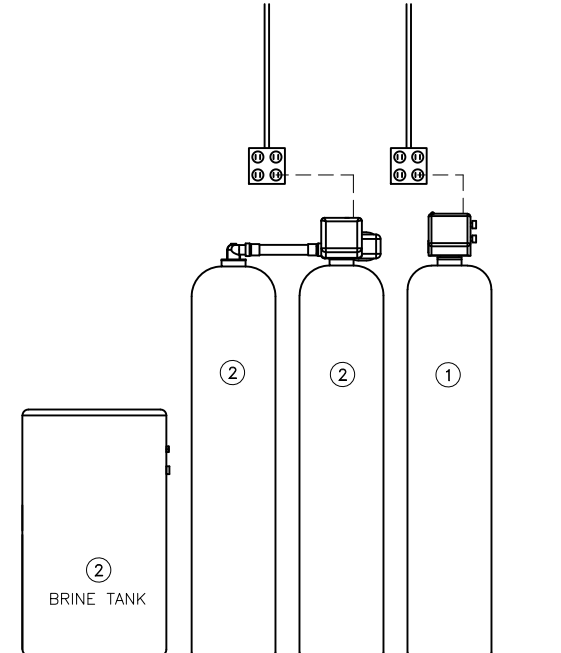
REFERENCE DETAIL REPORT FOR
VAC/PHASE/FREQUENCY/AMPS



REFERENCE DETAIL REPORT FOR
VAC/PHASE/FREQUENCY/AMPS



REFERENCE DETAIL REPORT FOR
VAC/PHASE/FREQUENCY/AMPS



NOTE:

⚠ REFER TO DETAIL REPORT FOR ELECTRIC SUPPLY.

① DECHLORINATOR ⚠

② DUPLEX WATER SOFTENER SINGLE VALVE AND BRINE TANK ⚠

③ HIGH PRESSURE PUMPSTATION ⚠

④ RO TANK ⚠

⑤ RO SYSTEM SKID [PUMP & MEMBRANES] ⚠

	HIGH-PRESSURE SYSTEM GENERIC ELECTRICAL SUPPLY	
	MAT'L:	
	SCALE: 1:32	P/N
	DRAWN BY: JK	GENERIC SUBMITTAL
	DATE: 8/4/21	