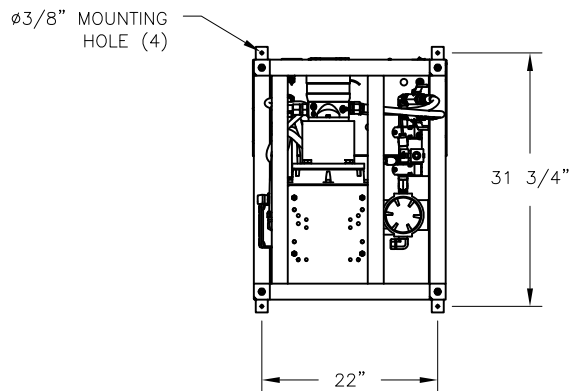
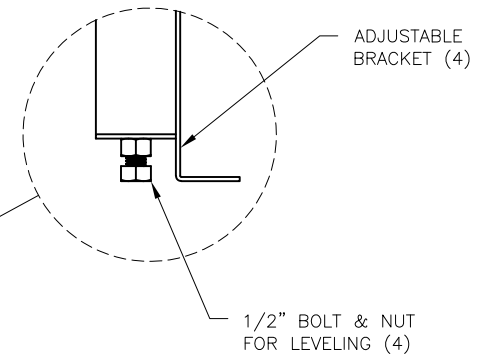
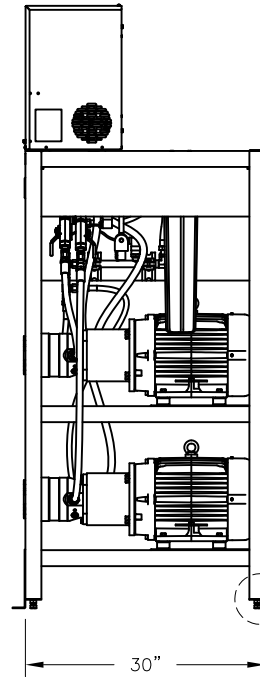
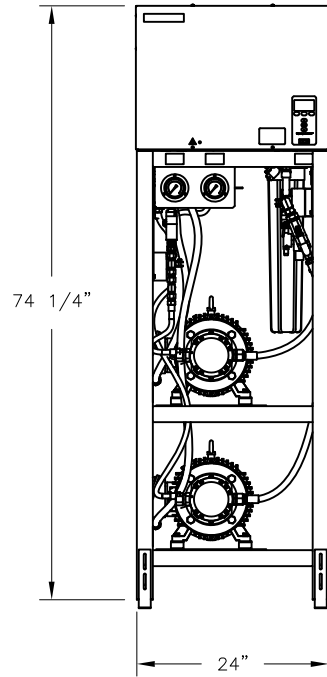



CONFIDENTIAL

DATE	REV	RECORD	DR
5/24	A	SUBMITTAL	JK



	GENERIC REDUNDANT PUMP STATION WITH BRACKETS	
	MAT'L:	
	SCALE: 1:24	P/N
	DRAWN BY: JK	GENERIC SUBMITTAL
	DATE: 5/15/24	