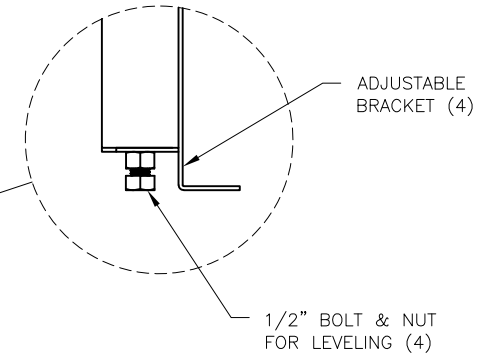
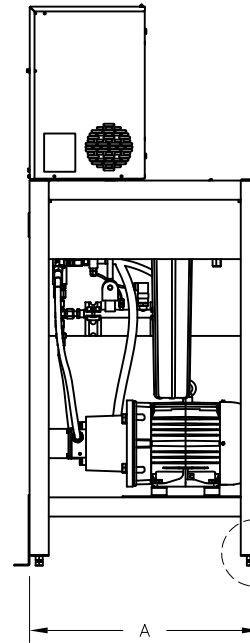
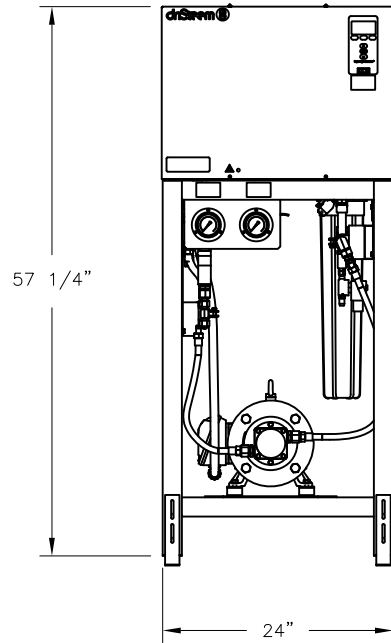
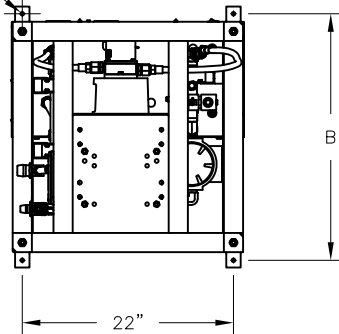


CONFIDENTIAL

DATE	REV	RECORD	DR
5/24	A	SUBMITTAL	JK



ø3/8" MOUNTING HOLE (4)



FRAME SIZE	A	B
24" X 24"	24"	25-3/4"
24" X 30"	30"	31-3/4"
24" X 36"	36"	37-3/4"

	HPA GENERIC SINGLE PUMP STATION WITH BRACKETS	
	MAT'L:	
	SCALE: 1:20	P/N
DRAWN BY: JK		GENERIC SUBMITTAL
DATE: 5/15/24		