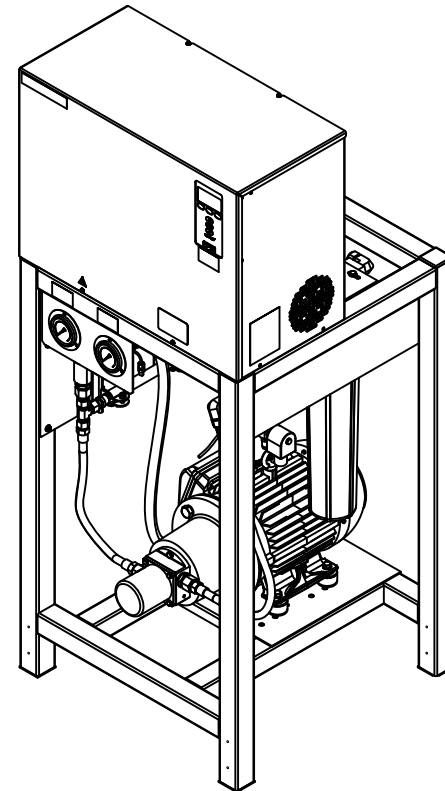
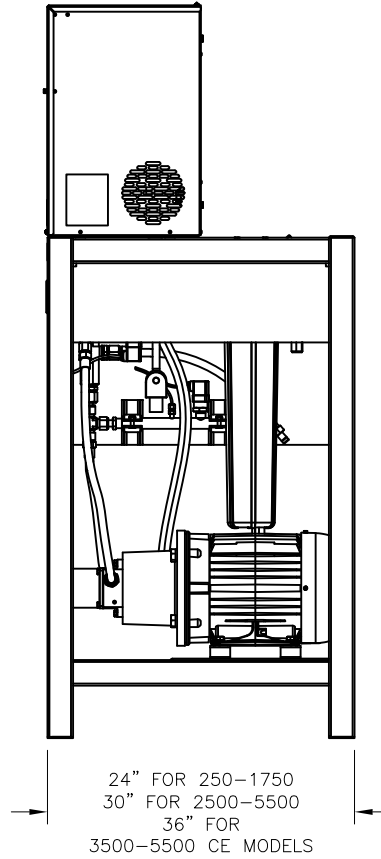
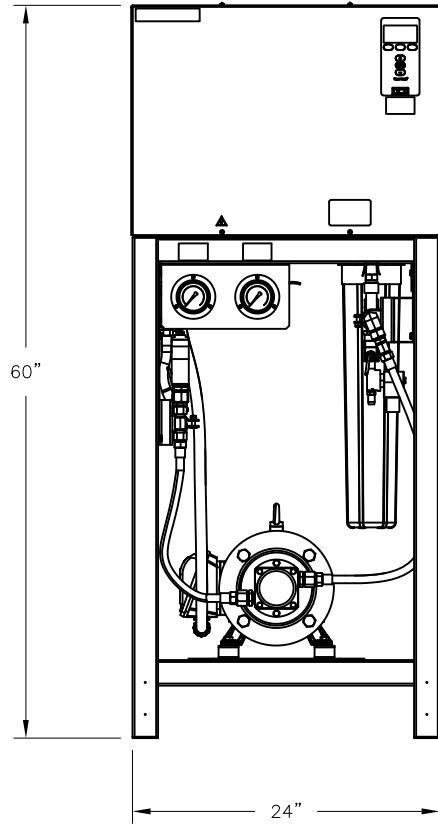



CONFIDENTIAL

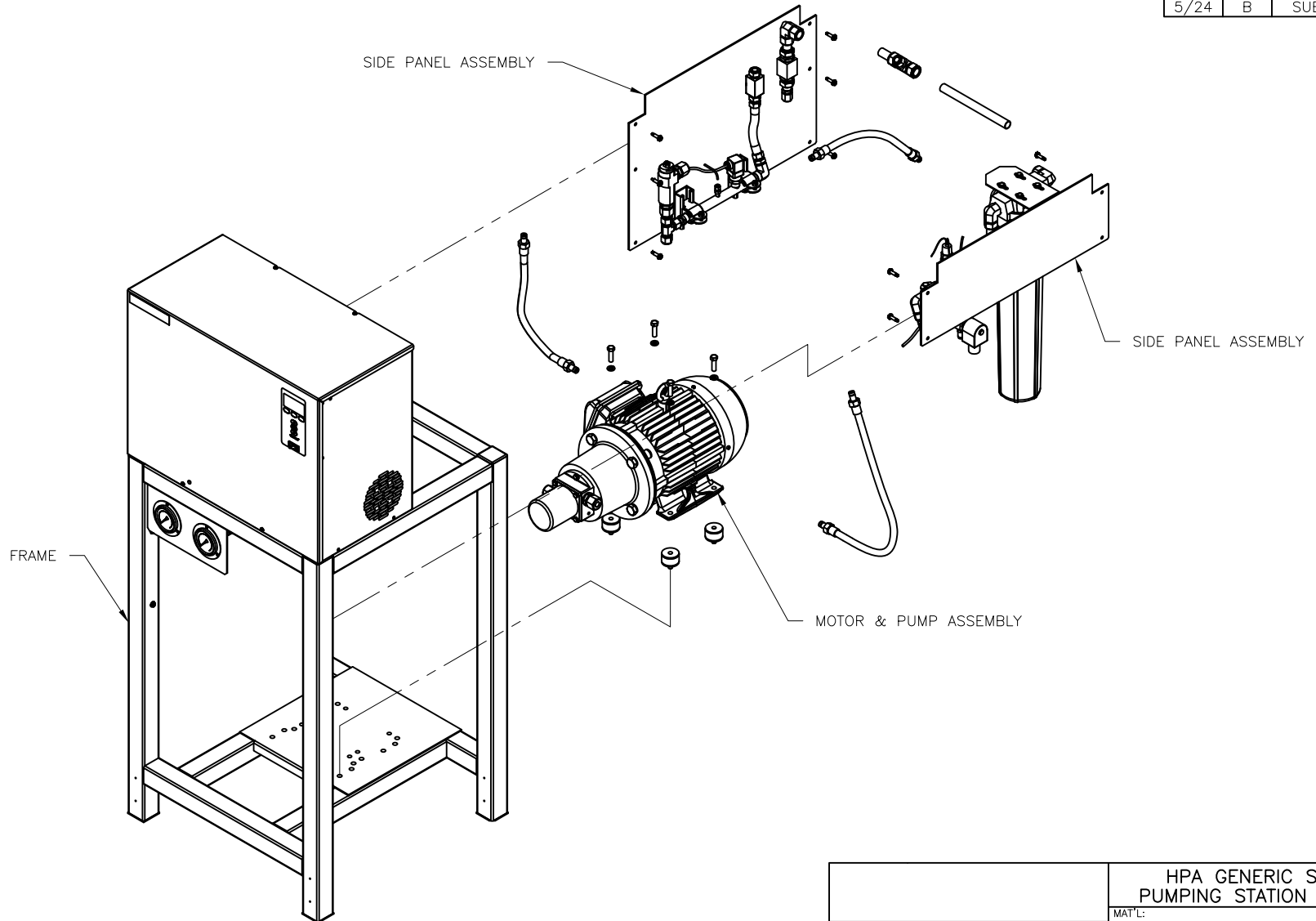
DATE	REV	RECORD	DR
8/21	A	SUBMITTAL	JK
5/24	B	SUBMITTAL	JK




	HPA GENERIC SINGLE PUMPING STATION -sheet1	
	MAT'L:	
	SCALE: 1:15	P/N
	DRAWN BY: JK	GENERIC SUBMITTAL
	DATE: 8/4/21	

CONFIDENTIAL

DATE	REV	RECORD	DR
8/21	A	SUBMITTAL	JK
5/24	B	SUBMITTAL	JK



	HPA GENERIC SINGLE PUMPING STATION -sheet2	
	MAT'L:	
	SCALE: 1:14	P/N
	DATE: 8/4/21	GENERIC SUBMITTAL