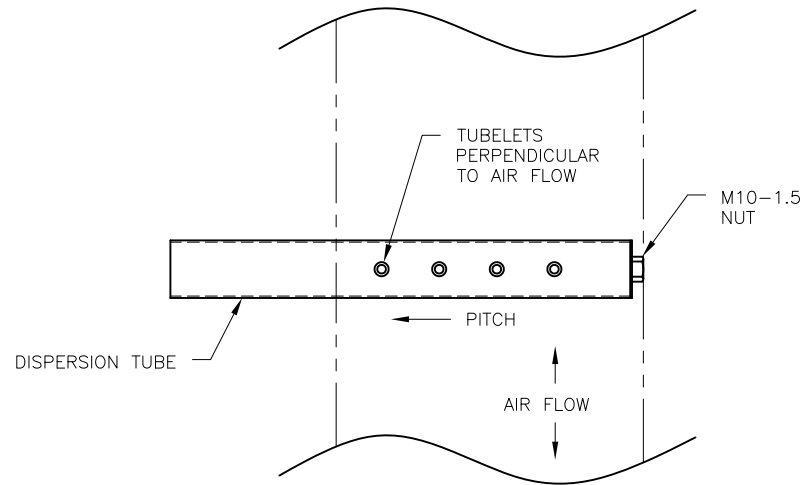
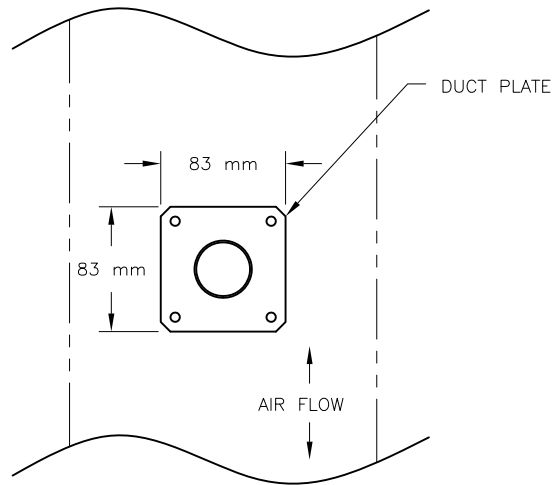
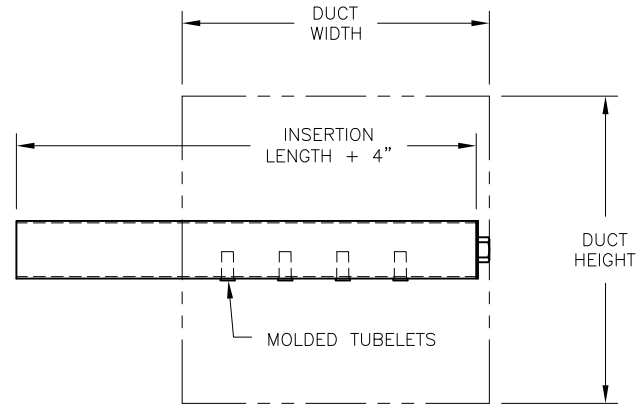


CONFIDENTIAL

DATE	REV	RECORD	DR
8/21	A	SUBMITTAL	JK



		INLINE DISPERSION TUBE IN VERTICAL AIR FLOW	
		MAT'L:	
SCALE:	1:5	P/N	GENERIC SUBMITTAL
DRAWN BY:	JK		
DATE:	8/4/21		