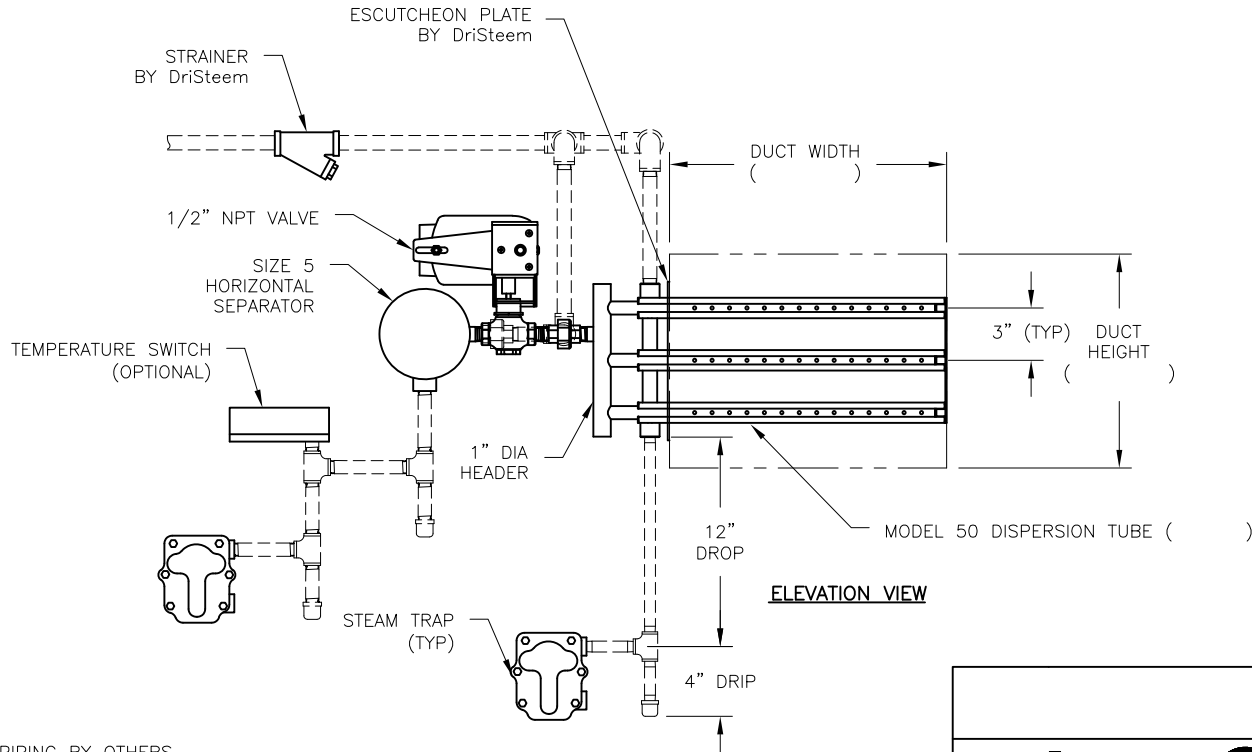
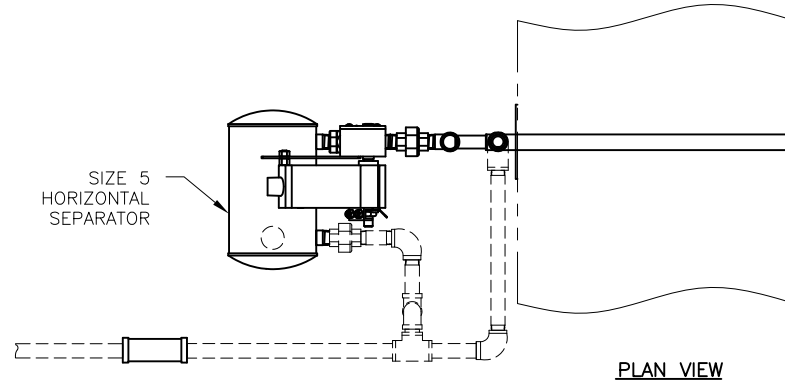


CONFIDENTIAL

DATE	REV	RECORD	DR
8/21	A	SUBMITTAL	JK
7/24	B	SUBMITTAL	JK



NOTE:
DASHED LINES INDICATE PIPING BY OTHERS.

		MINIBANK HORIZONTAL SEP. HORIZONTAL AIR FLOW	
		MAT'L:	P/N
SCALE: 1:11	DATE: 8/4/14	GENERIC SUBMITTAL	
DRAWN BY: JK			