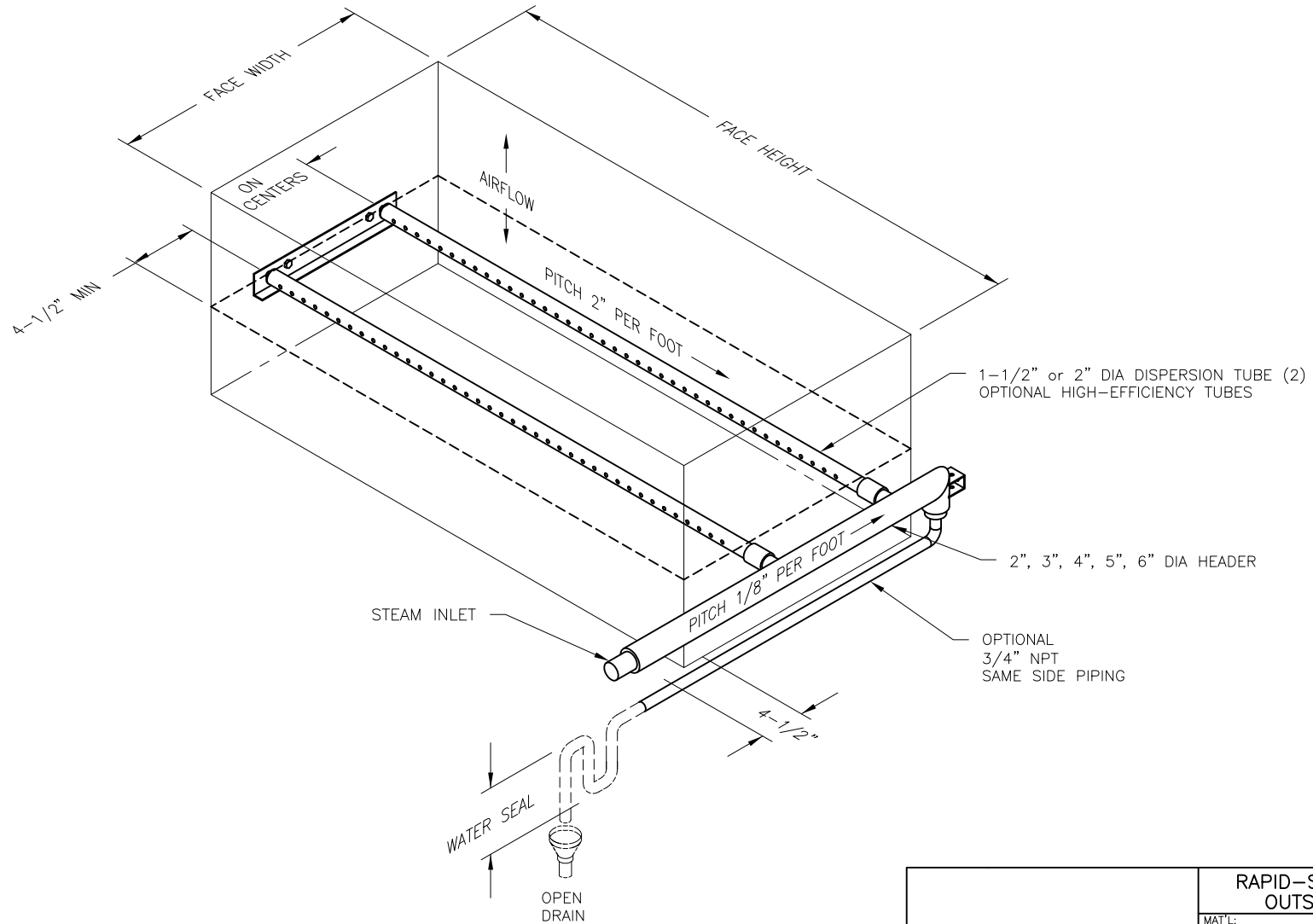



CONFIDENTIAL

DATE	REV	RECORD	DR
11/21	A	SUBMITTAL	JK



		RAPID-SORB VAF HEADER OUTSIDE LEFT HAND	
		MAT'L:	
SCALE:	1:15	P/N	
DRAWN BY:	JK	GENERIC SUBMITTAL	
DATE:	11/19/21		