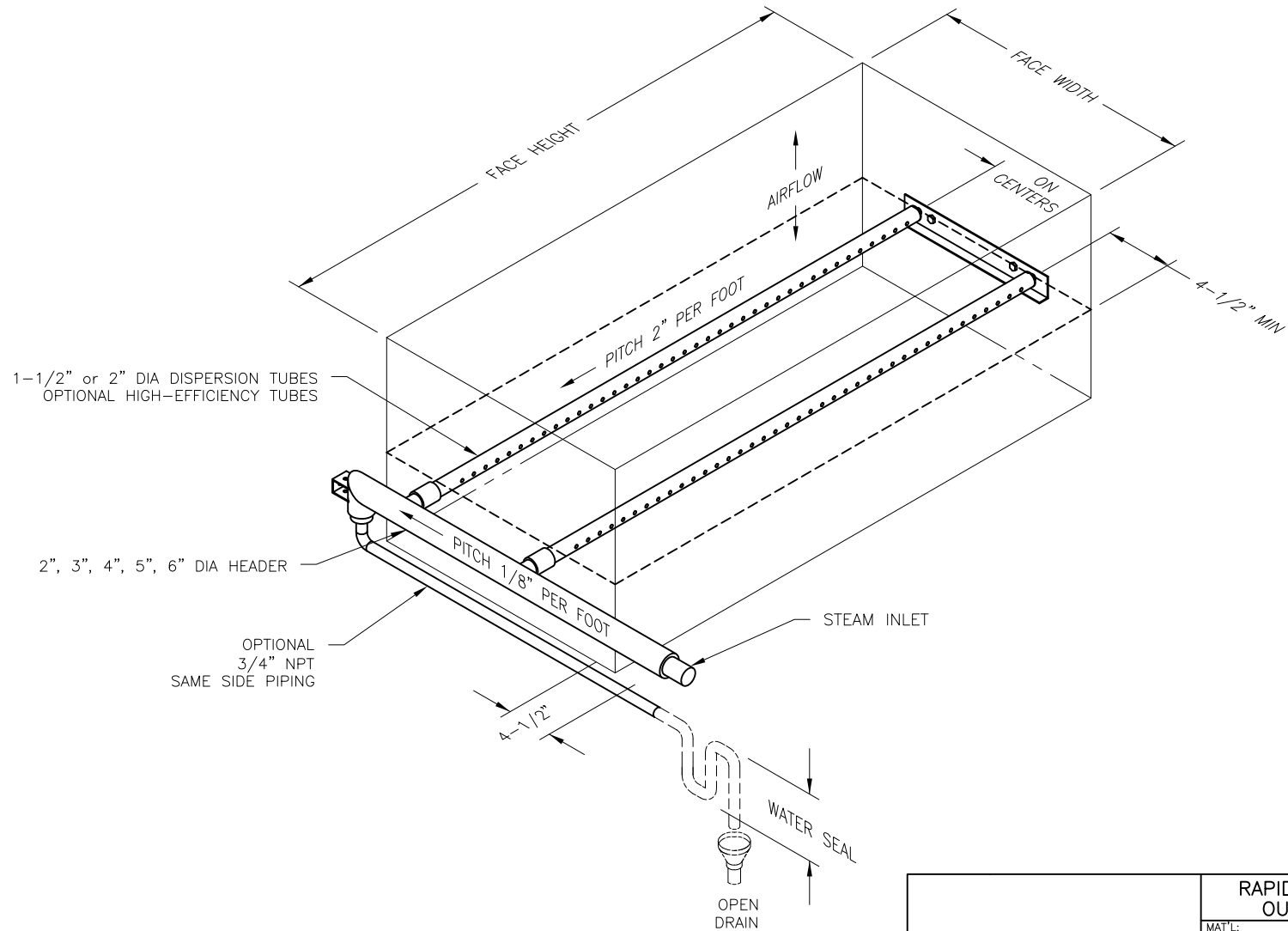


CONFIDENTIAL

DATE	REV	RECORD	DR
11/21	A	SUBMITTAL	JK



	RAPID-SORB VAF HEADER OUTSIDE RIGHT HAND	
	MAT'L:	P/N
	SCALE: 1:15	DATE: 11/19/21
DRAWN BY: JK	GENERIC SUBMITTAL	