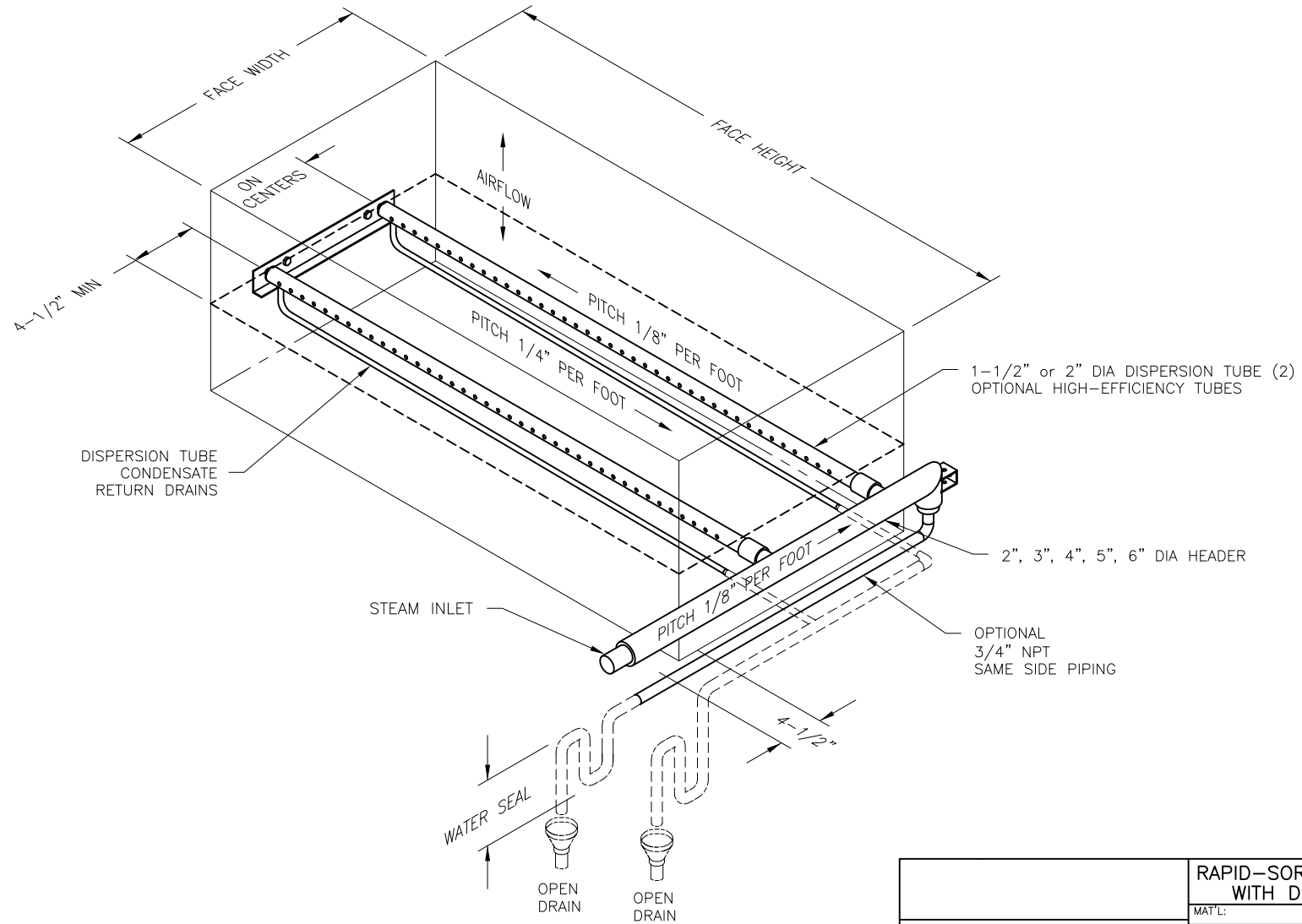


CONFIDENTIAL

DATE	REV	RECORD	DR
11/21	A	SUBMITTAL	JK



	RAPID-SORB VAF HDR OUTSIDE WITH DRAINS LEFT HAND	
	MAT'L:	
	SCALE: 1:15	P/N
	DRAWN BY: JK	GENERIC SUBMITTAL
	DATE: 11/19/21	