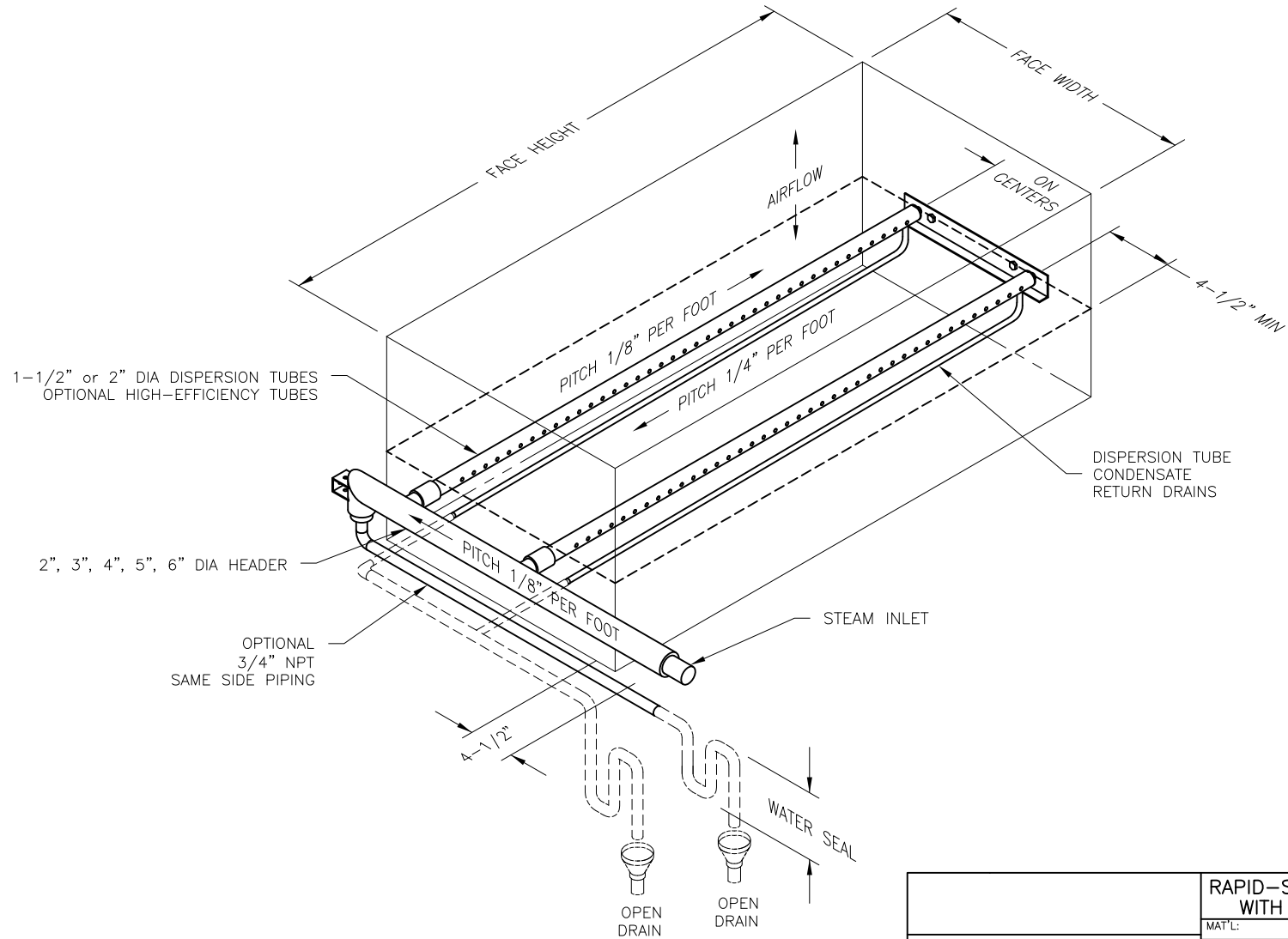



CONFIDENTIAL

| DATE | REV | RECORD | DR |
|-------|-----|-----------|----|
| 11/21 | A | SUBMITTAL | JK |



| | | | |
|---|----------------|--|--|
|  | | RAPID-SORB VAF HDR OUTSIDE WITH DRAINS RIGHT HAND | |
| | | MAT'L: | |
| SCALE: 1:15 | P/N | GENERIC SUBMITTAL | |
| DRAWN BY: JK | DATE: 11/19/21 | | |