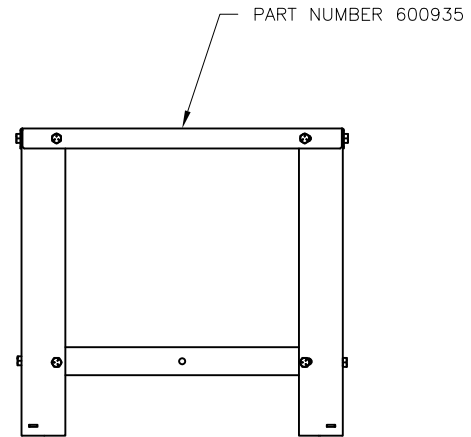
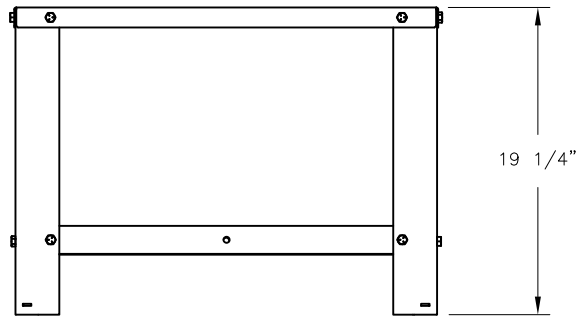
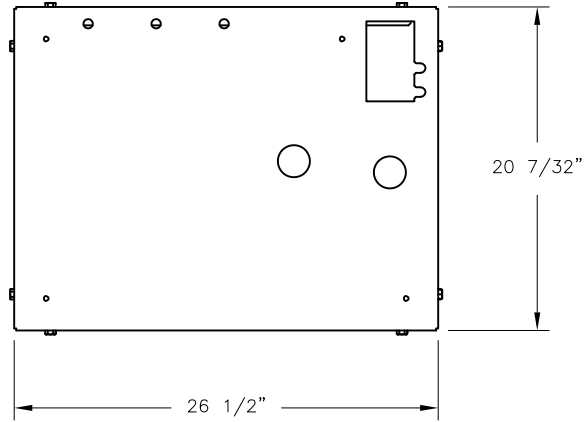



CONFIDENTIAL

DATE	REV	RECORD	DR
6/22	A	SUBMITTAL	JK



	RTS 2-STAGE FLOOR STAND	
	MAT'L:	P/N
	SCALE: 1:12 DRAWN BY: JK DATE: 6/30/22	GENERIC SUBMITTAL