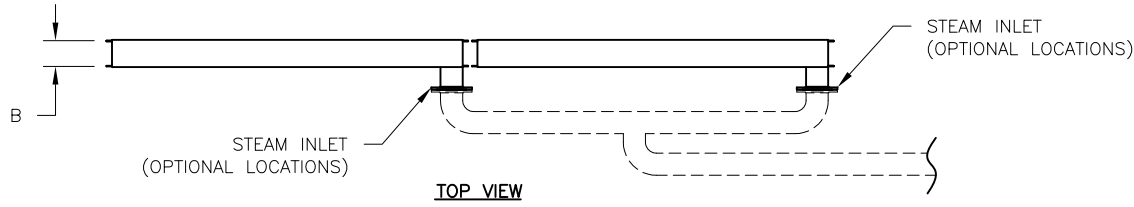
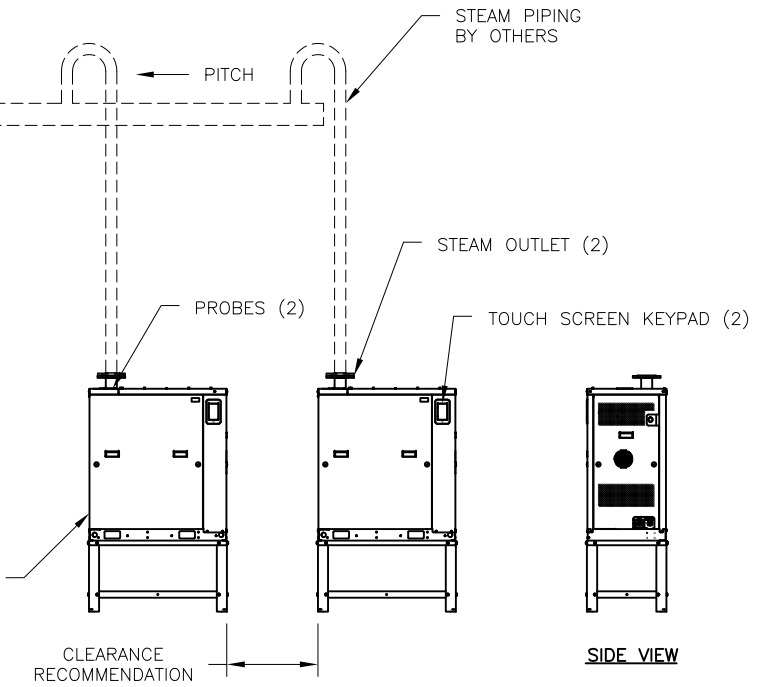
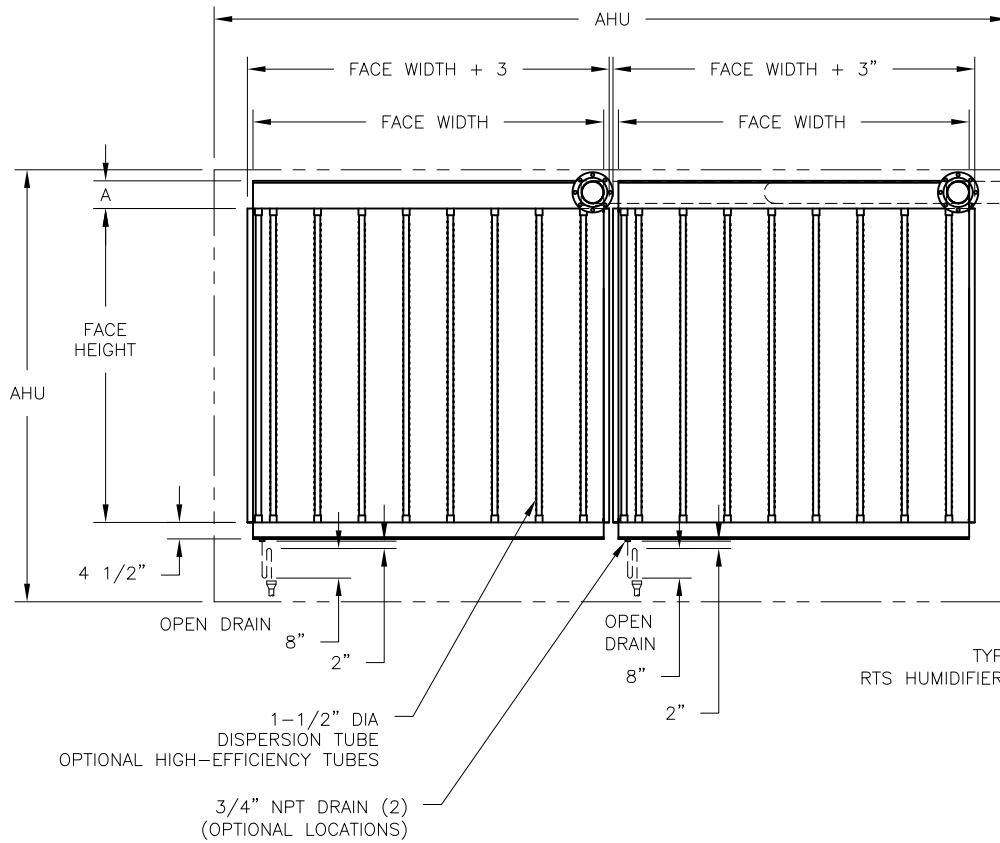


CONFIDENTIAL

DATE	REV	RECORD	DR
8/21	A	SUBMITTAL	JK



SUPPLY HEADER	B	A
3" DIA	5"	4-1/2"
4" DIA	5"	5-1/2"
5" DIA	6"	6-1/2"
6" DIA	7"	7-1/2"



	RTS (2) WITH ULTRA-SORB LV (2)	
	MAT'L:	
	SCALE: 1:52	P/N
	DATE: 8/18/21	GENERIC SUBMITTAL