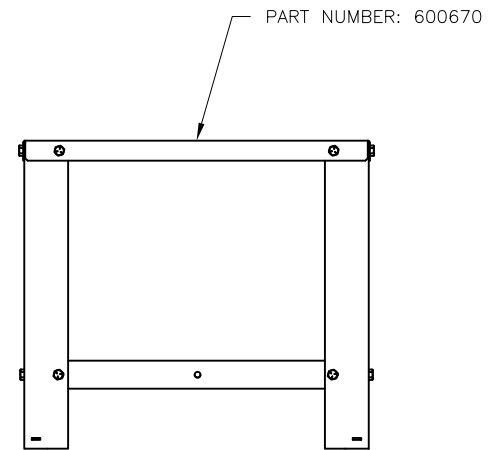
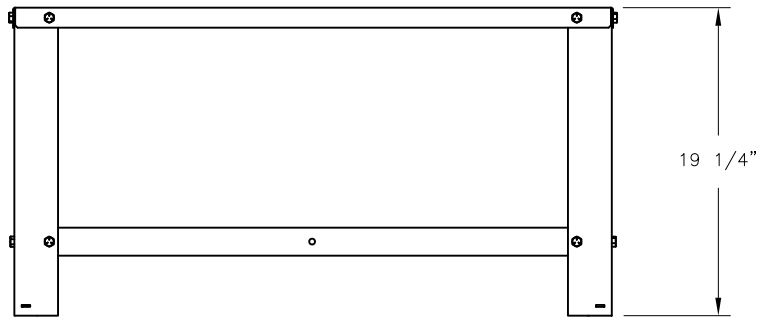
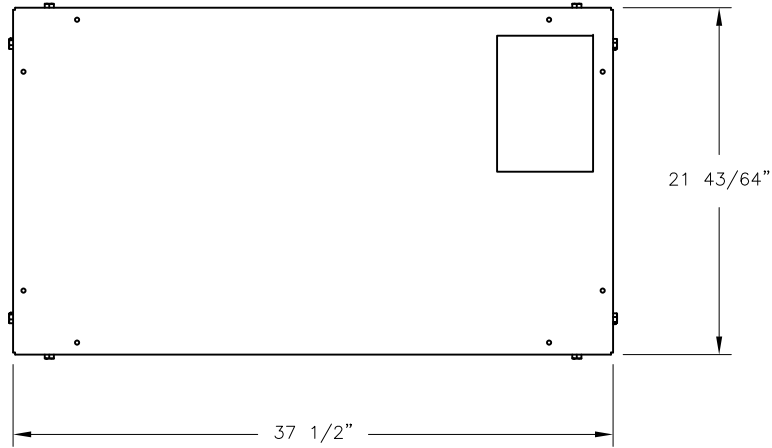



CONFIDENTIAL

DATE	REV	RECORD	DR
6/22	A	SUBMITTAL	JK



	RTS 3 & 4-STAGE FLOOR STAND	
	MAT'L:	
	SCALE: 1:12	P/N
	DRAWN BY: JK	GENERIC SUBMITTAL
	DATE: 6/30/22	