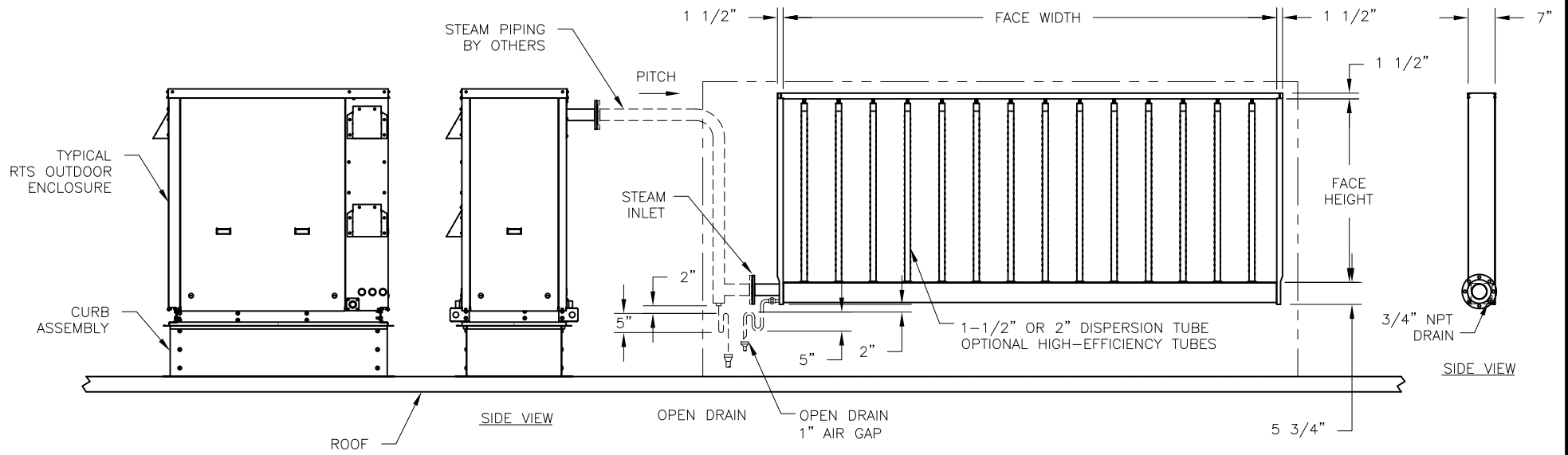


CONFIDENTIAL

DATE	REV	RECORD	DR
9/21	A	SUBMITTAL	JK



	RTS OUTDOOR WITH ULTRA-SORB MP	
	MAT'L:	
	SCALE: 1:40	P/N
	DATE: 9/24/21	GENERIC SUBMITTAL