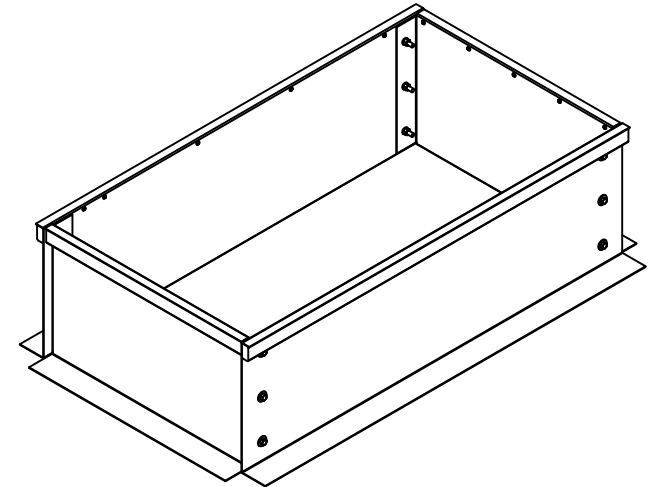
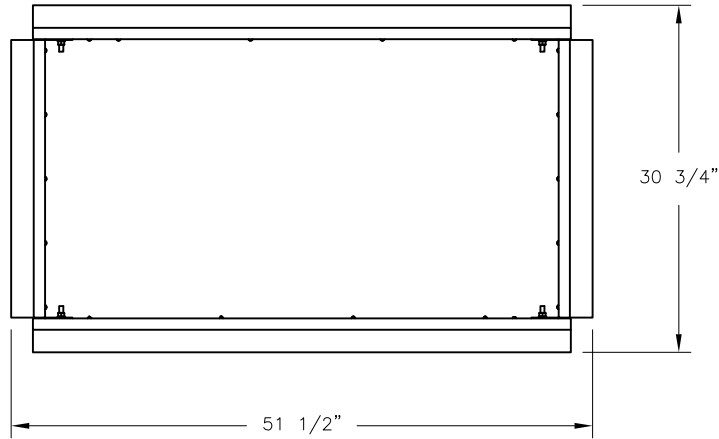
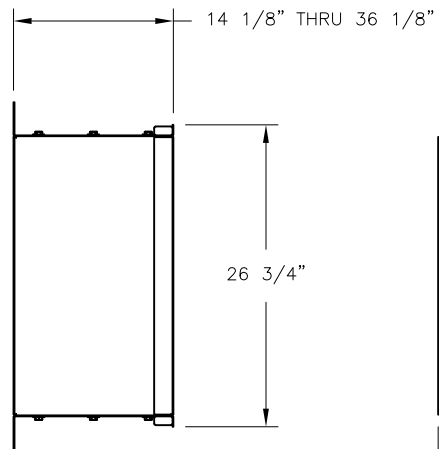
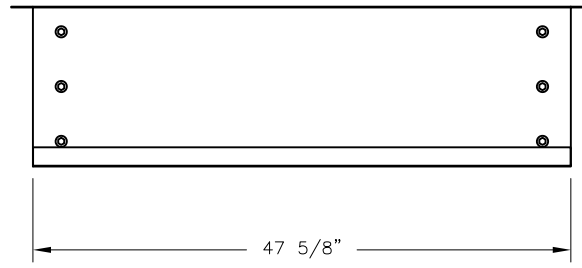


CONFIDENTIAL

| DATE  | REV | RECORD    | DR |
|-------|-----|-----------|----|
| 10/21 | A   | SUBMITTAL | JK |



|  |                              |                   |  |
|--|------------------------------|-------------------|--|
|  | RTS RX 1 & 2-STAGE CURB ASSY |                   |  |
|  | MAT'L:                       |                   |  |
|  | SCALE: 1:17                  | P/N               |  |
|  | DRAWN BY: JK                 | GENERIC SUBMITTAL |  |
|  | DATE: 10/5/21                |                   |  |