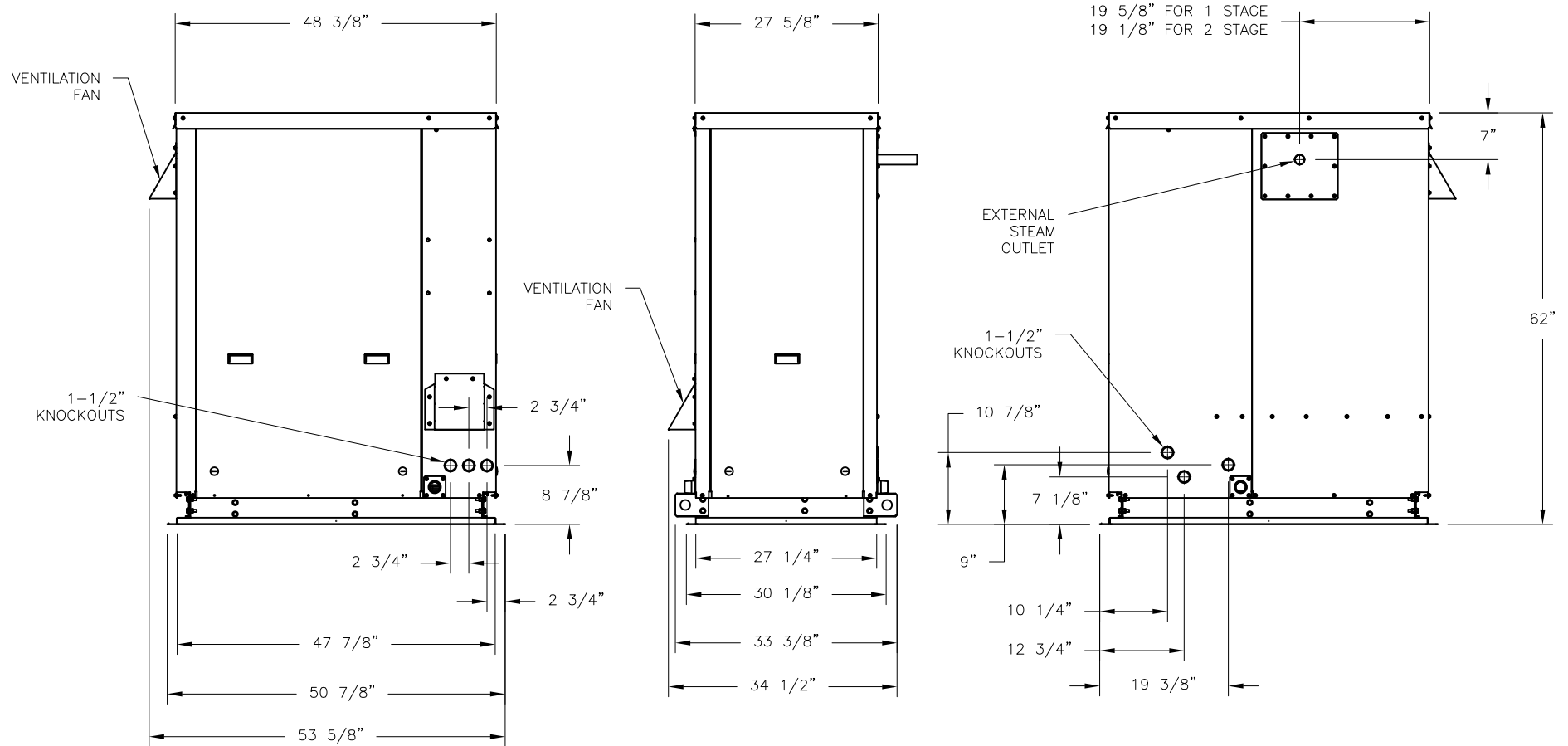



CONFIDENTIAL

DATE	REV	RECORD	DR
10/21	A	SUBMITTAL	JK
12/21	B	SUBMITTAL	AJK



		RTS RX 1 & 2-STAGE OUTDOOR ENCLOSURE	
		MAT'L:	P/N
SCALE:	1:24	DRAWN BY: JK	
DATE:	10/4/21	GENERIC SUBMITTAL	