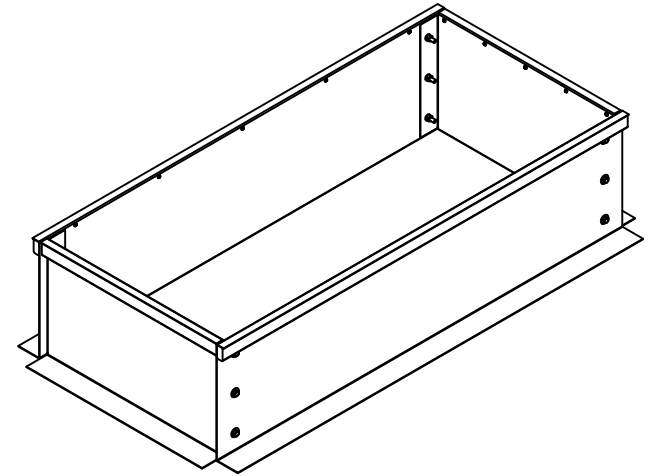
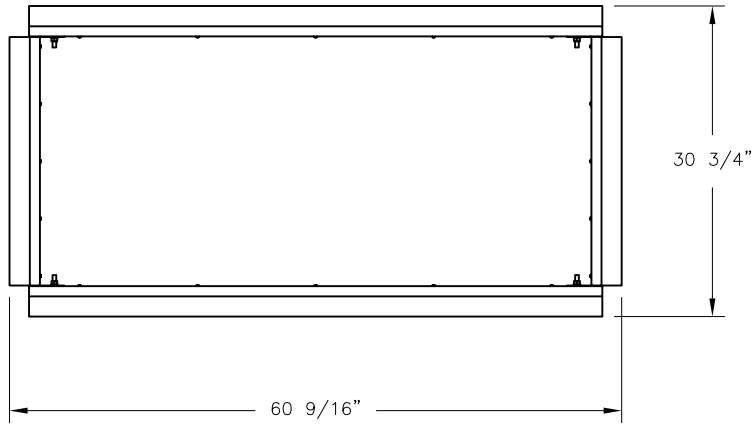
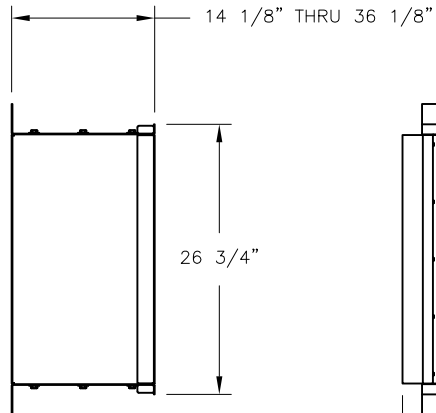
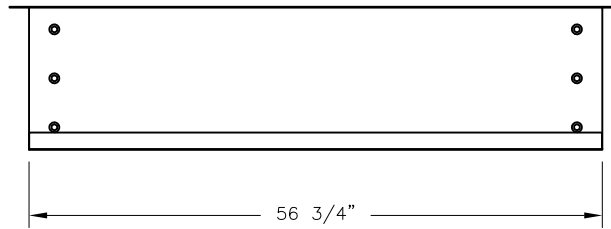


CONFIDENTIAL

DATE	REV	RECORD	DR
10/21	A	SUBMITTAL	JK



	RTS RX 3 & 4-STAGE CURB ASSY	
	MAT'L:	
	SCALE: 1:19	P/N
	DATE: 10/5/21	GENERIC SUBMITTAL