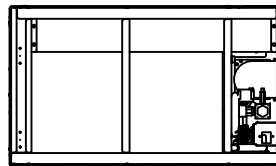
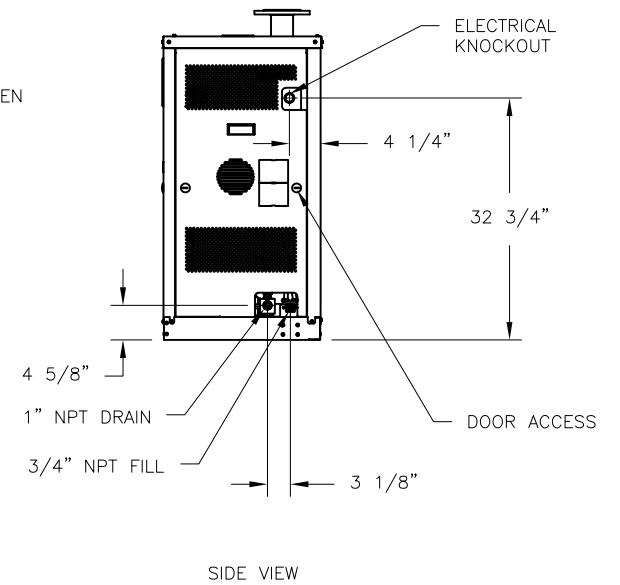
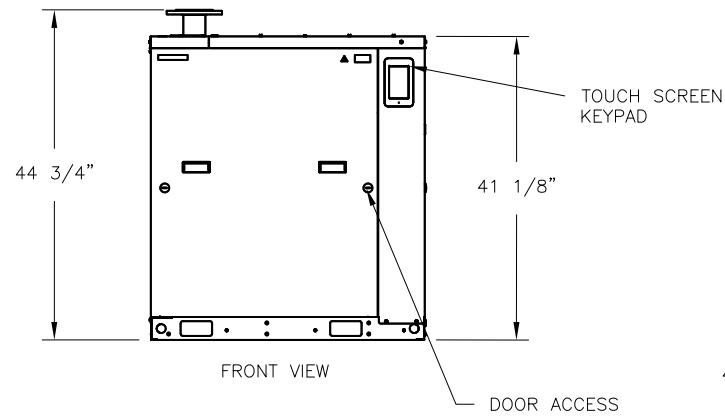
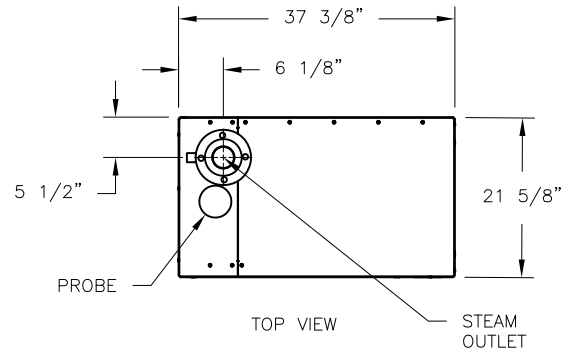
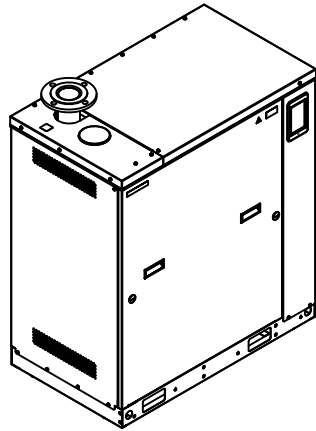


CONFIDENTIAL

DATE	REV	RECORD	DR
8/21	A	SUBMITTAL	JK
10/22	B	SUBMITTAL	JK



BOTTOM VIEW

		RTS RX 3 & 4 STAGE INDOOR	
		MAT'L:	
SCALE:	1:26	P/N	GENERIC SUBMITTAL
DRAWN BY:	AJK		
DATE:	8/4/21		