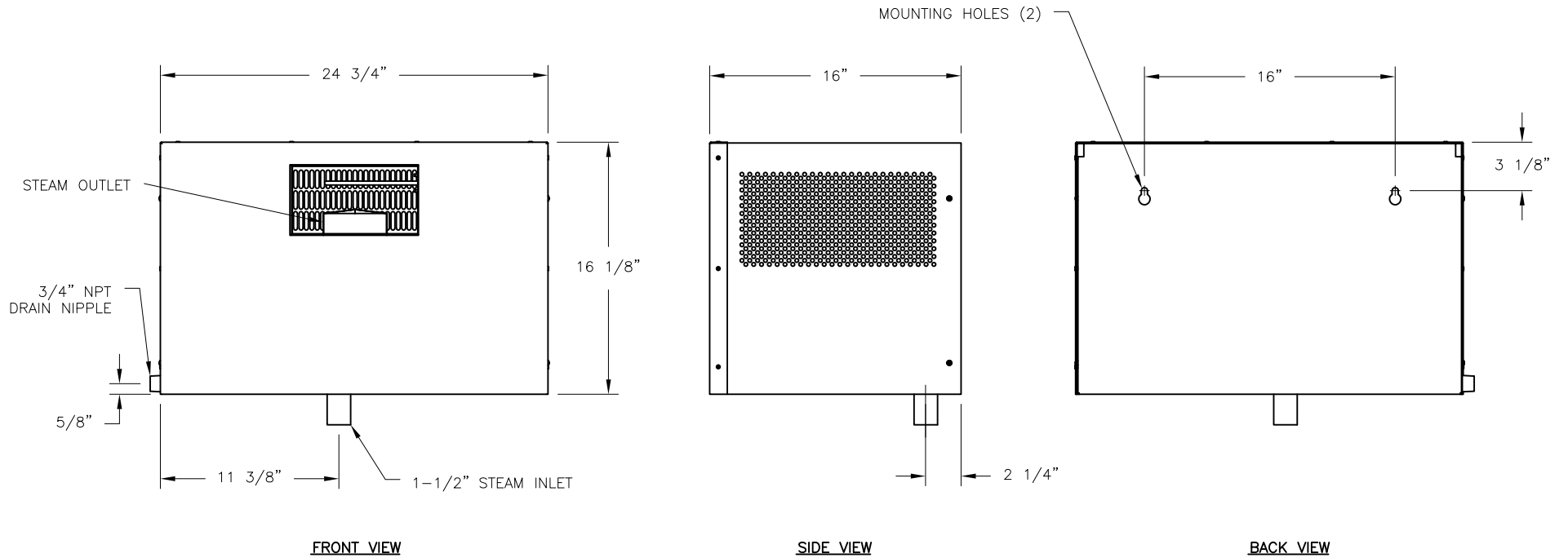



CONFIDENTIAL

DATE	REV	RECORD	DR
8/21	A	SUBMITTAL	JK



	RTS SDU EXTERNAL 1-1/2" INLET	
	MAT'L:	P/N
	SCALE: 1:10 DRAWN BY: JK DATE: 8/4/21	GENERIC SUBMITTAL