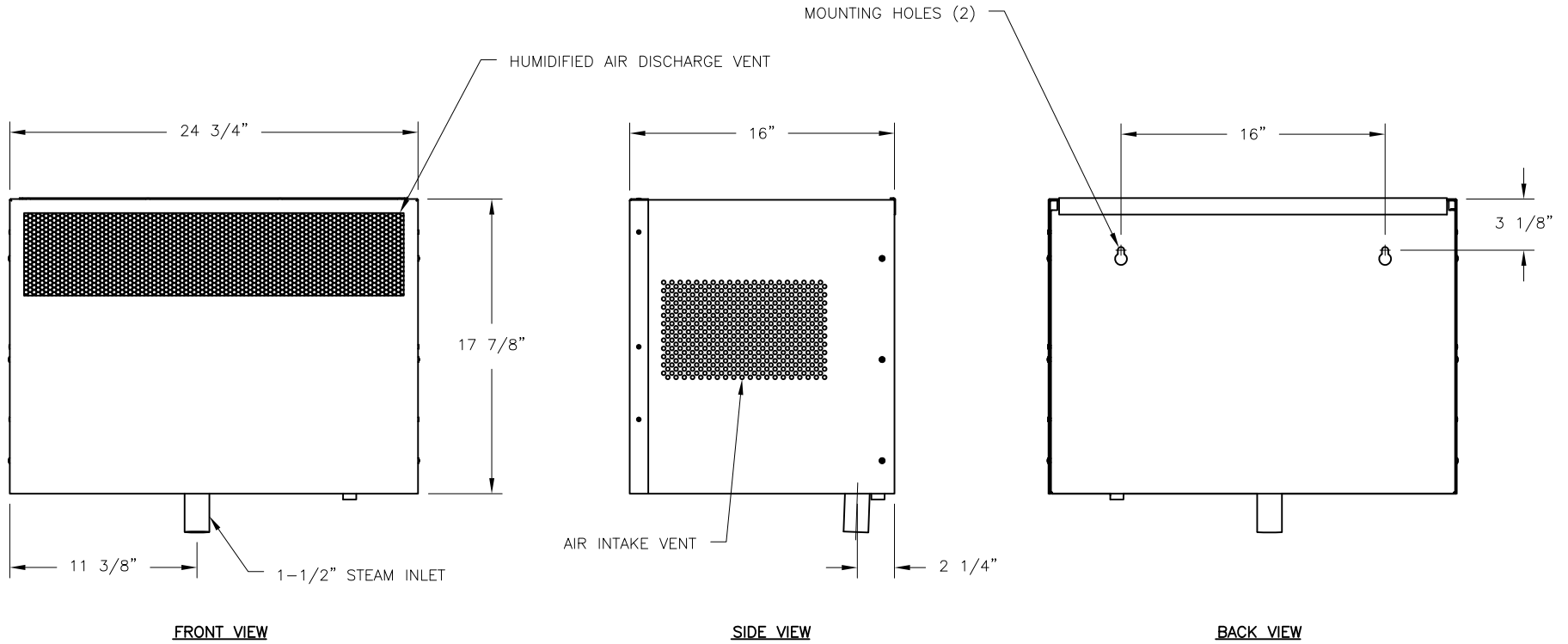


CONFIDENTIAL

DATE	REV	RECORD	DR
8/21	A	SUBMITTAL	JK



	RTS SDU INTERNAL 1-1/2" INLET	
	MAT'L:	
	SCALE: 1:10	P/N
	DATE: 8/4/21	GENERIC SUBMITTAL