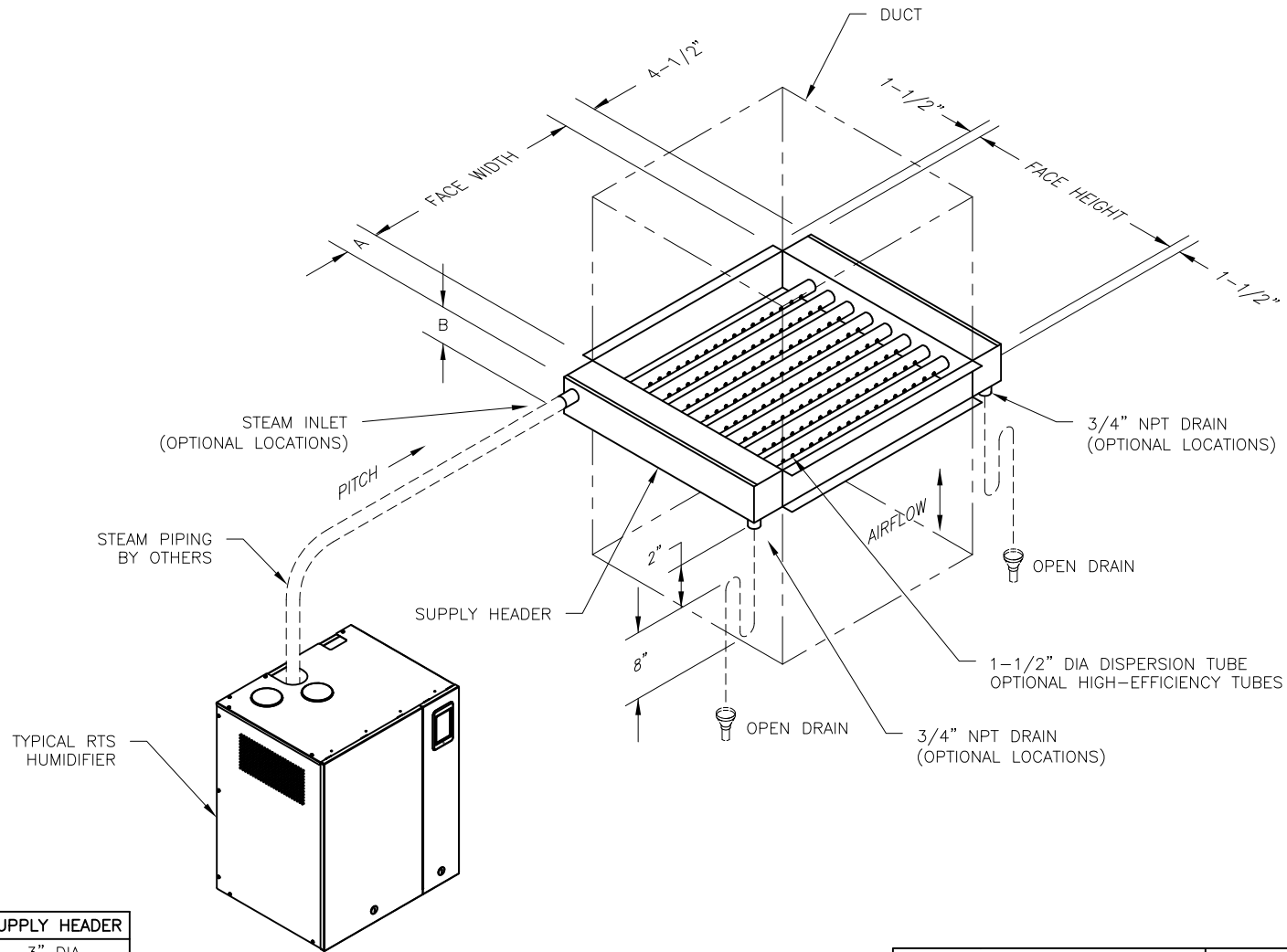


CONFIDENTIAL

DATE	REV	RECORD	DR
12/21	A	SUBMITTAL	JK



A	B	SUPPLY HEADER
4-1/2"	5"	3" DIA
5-1/2"	5"	4" DIA
6-1/2"	6"	5" DIA
7-1/2"	7"	6" DIA

		RTS WITH ULTRA-SORB LH VERTICAL AIRFLOW	
		MAT'L:	
SCALE: 1:24		P/N	
DRAWN BY: JK		GENERIC SUBMITTAL	
DATE: 12/13/21			