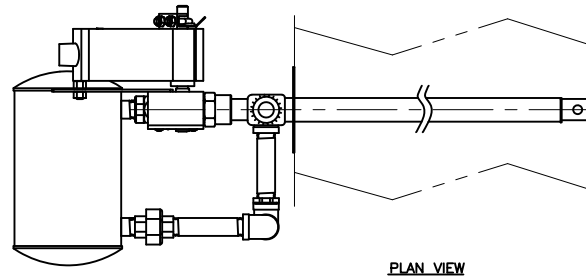
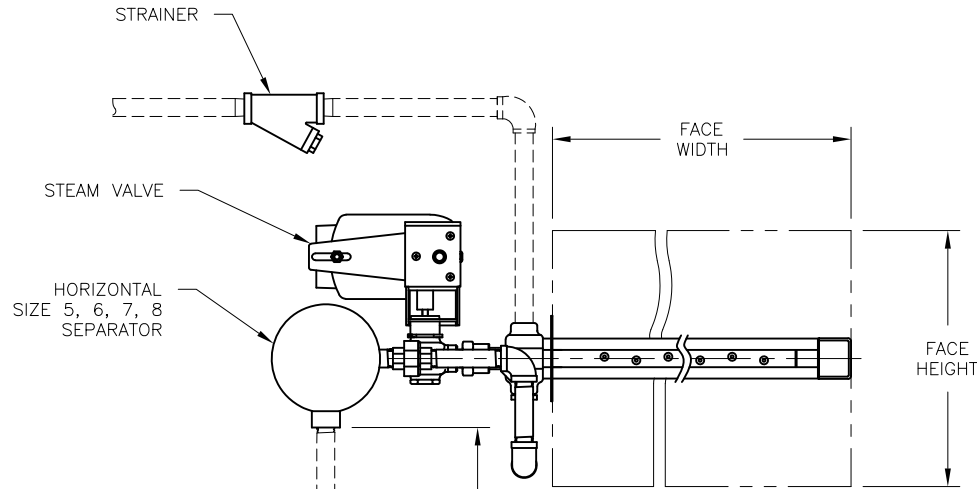


CONFIDENTIAL

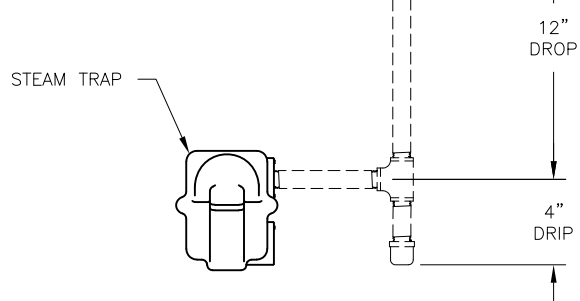
DATE	REV	RECORD	DR
11/21	A	SUBMITTAL	JK



PLAN VIEW



ELEVATION VIEW



		STEAM INJECTION DS SINGLE TUBE HORIZONTAL SEP	
		MAT'L:	P/N
SCALE:	1:9	GENERIC SUBMITTAL	
DRAWN BY:	JK		
DATE:	11/17/21		