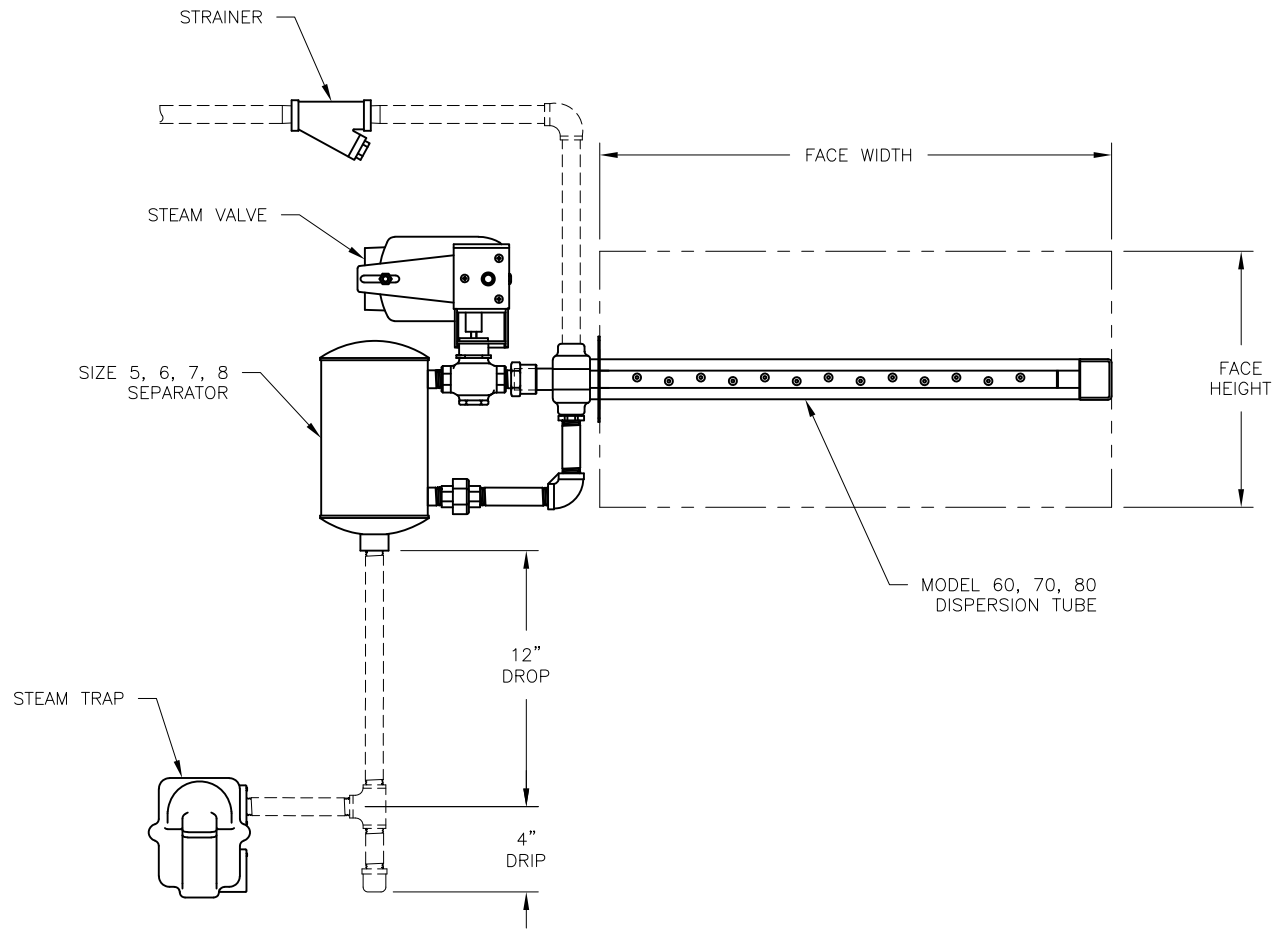


CONFIDENTIAL

DATE	REV	RECORD	DR
11/21	A	SUBMITTAL	JK



	STEAM INJECTION DS SINGLE TUBE VERTICAL SEP	
	MAT'L:	
	SCALE: 1:9	P/N
	DATE: 11/17/21	GENERIC SUBMITTAL