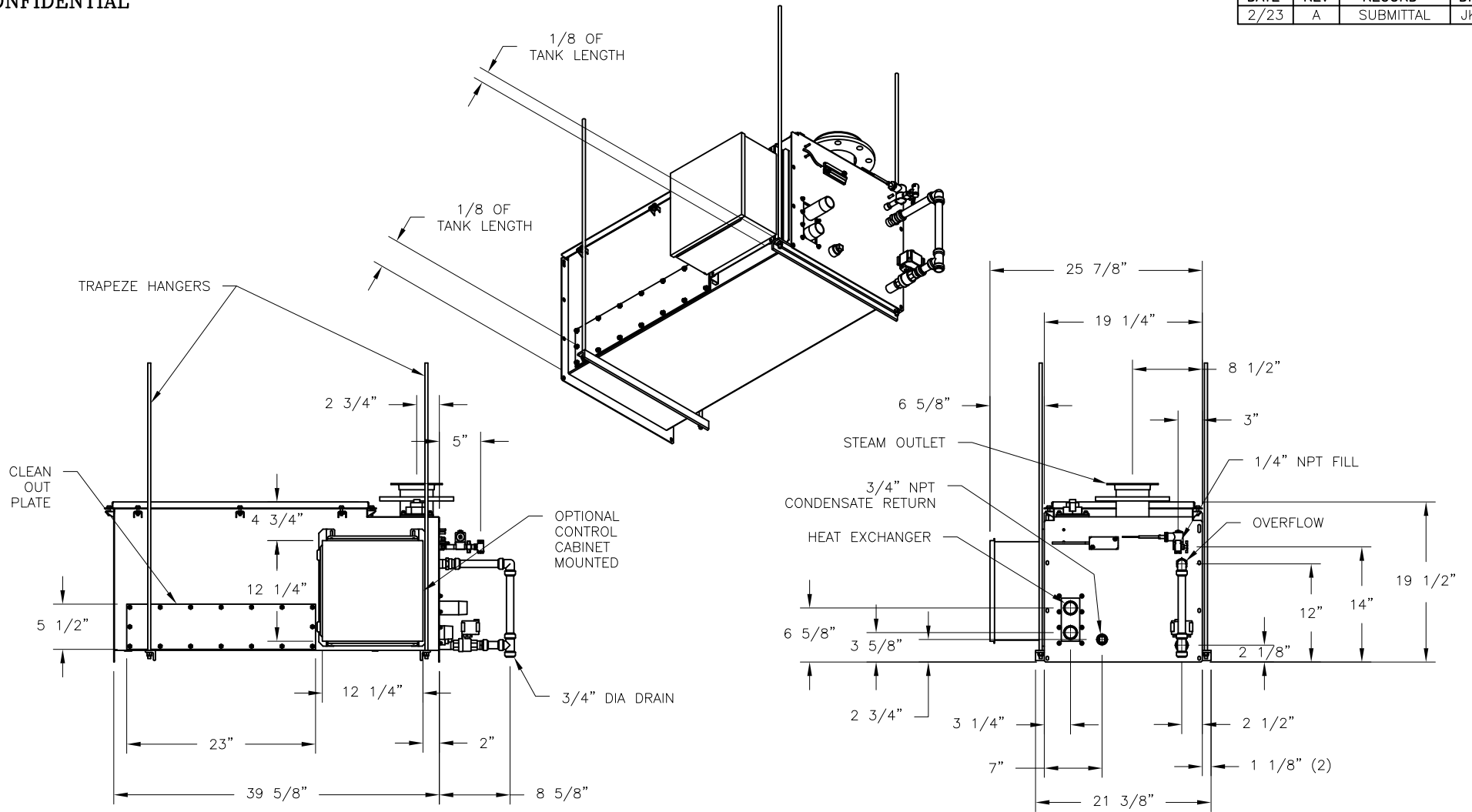



CONFIDENTIAL

DATE	REV	RECORD	DR
2/23	A	SUBMITTAL	JK



		STS-100 TRAPEZE HANGERS	
		MAT'L:	
SCALE: 1:18		P/N	
DRAWN BY: JK		GENERIC SUBMITTALS	
DATE: 2/1/23			