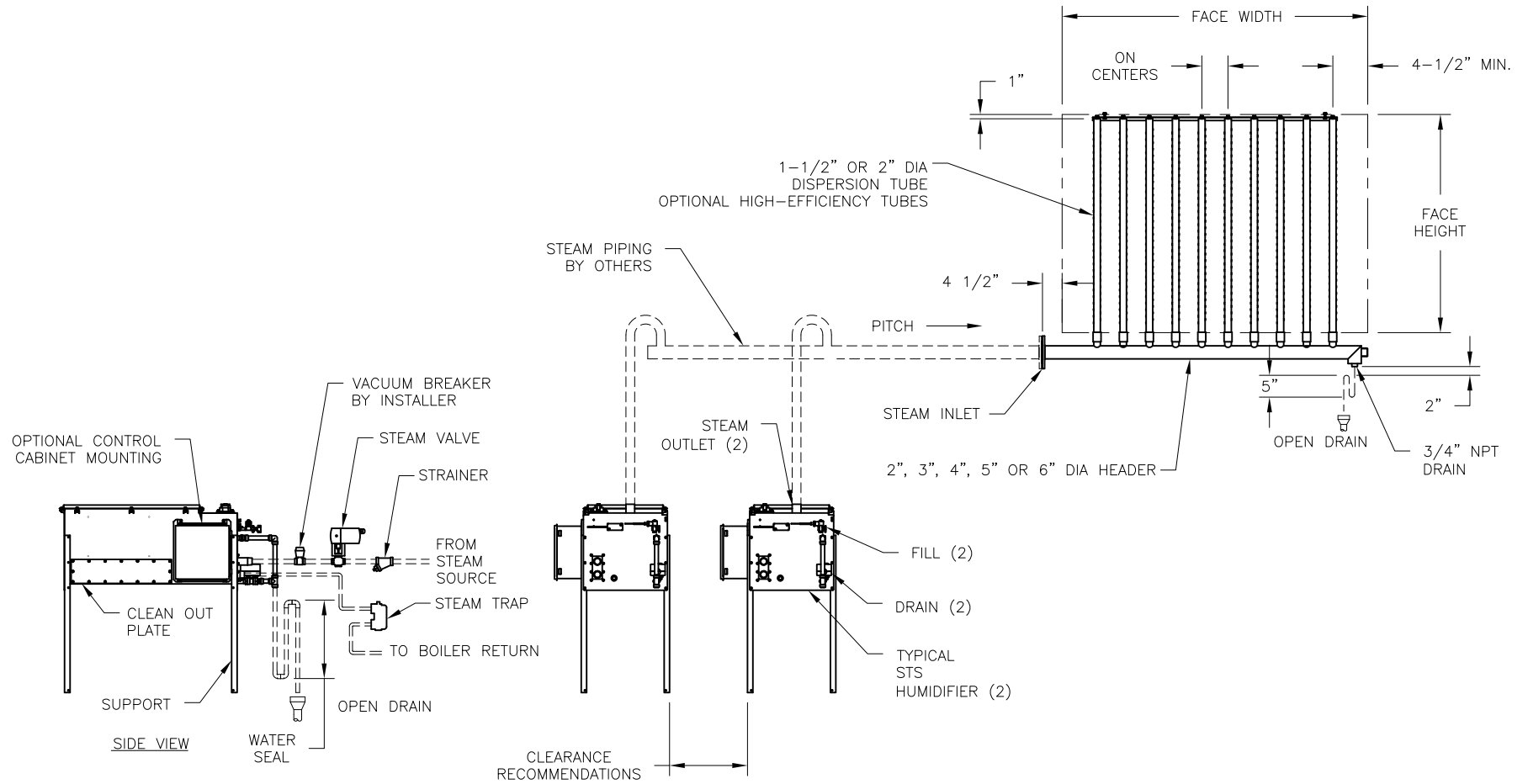


CONFIDENTIAL

DATE	REV	RECORD	DR
8/21	A	SUBMITTAL	JK



		STS (2) WITH RAPID-SORB	
		MAT'L:	
SCALE: 1:37		P/N	
DRAWN BY: JK		GENERIC SUBMITTAL	
DATE: 8/16/21			