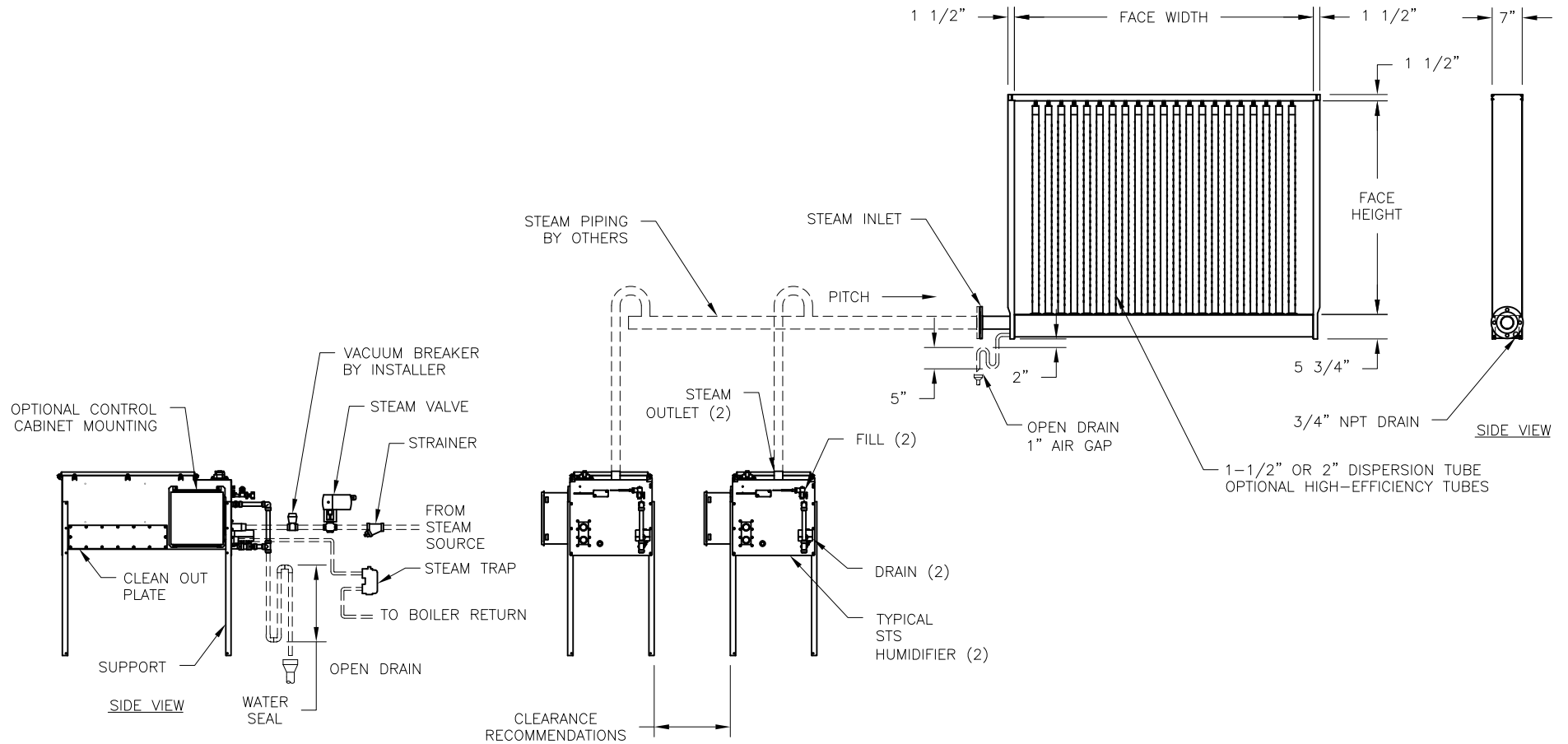


CONFIDENTIAL

DATE	REV	RECORD	DR
8/21	A	SUBMITTAL	JK



		STS (2) WITH ULTRA-SORB MP	
		MAT'L:	
SCALE:	1:37	P/N	
DRAWN BY:	JK	GENERIC SUBMITTAL	
DATE:	8/16/21		