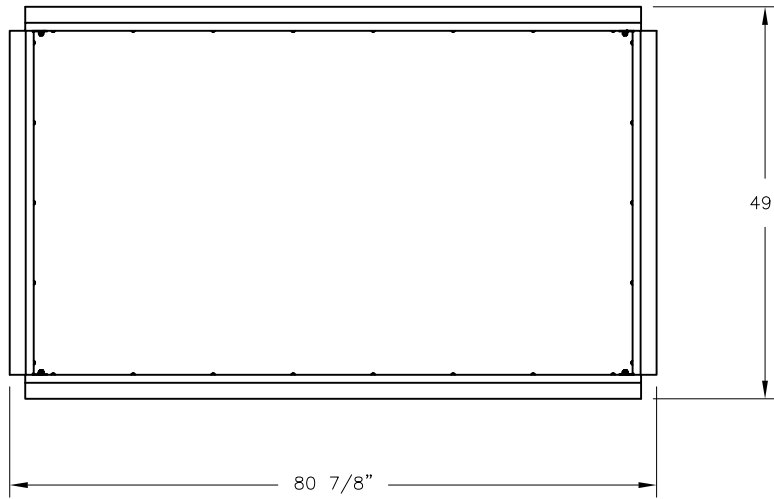
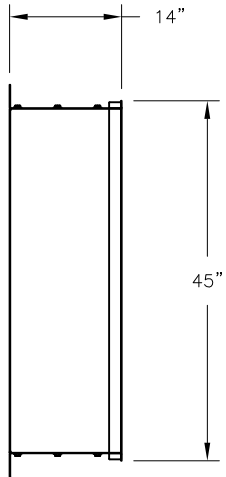
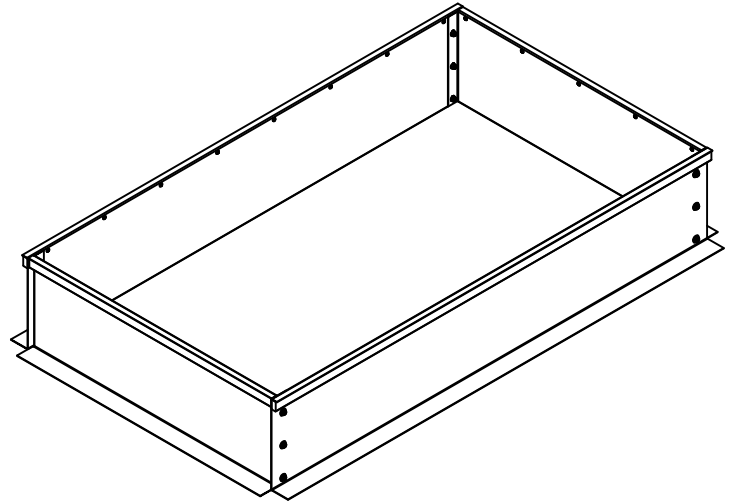
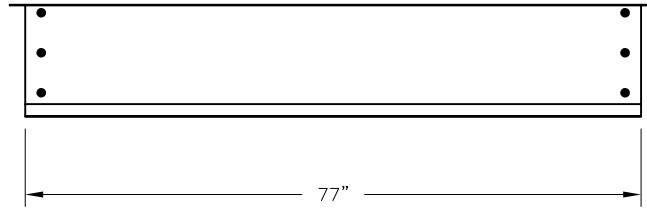



CONFIDENTIAL

DATE	REV	RECORD	DR
11/21	A	SUBMITTAL	JK



	STS 200-400-800 CURB ASSY	
	MAT'L:	
	SCALE: 1:24	P/N
	DRAWN BY: JK	GENERIC SUBMITTAL
	DATE: 11/23/21	