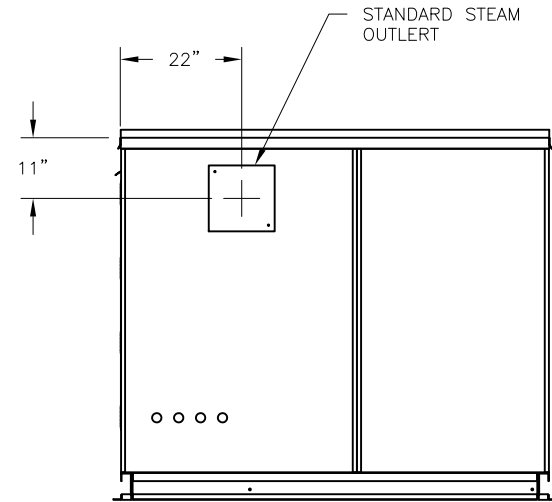
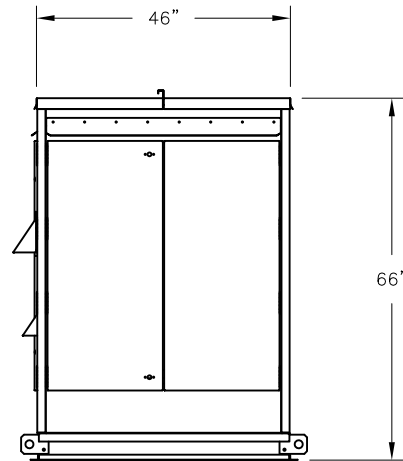
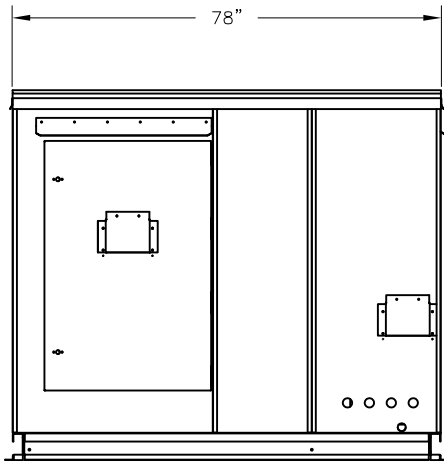
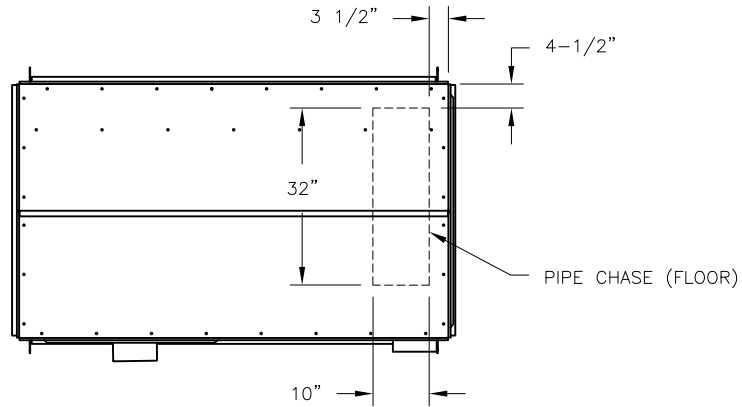


CONFIDENTIAL

DATE	REV	RECORD	DR
8/21	A	SUBMITTAL	JK



	STS 200/400/800 OUTDOOR ENCLOSURE,	
	MAT'L:	
	SCALE: 1:35	P/N
	DATE: 8/4/21	GENERIC SUBMITTAL