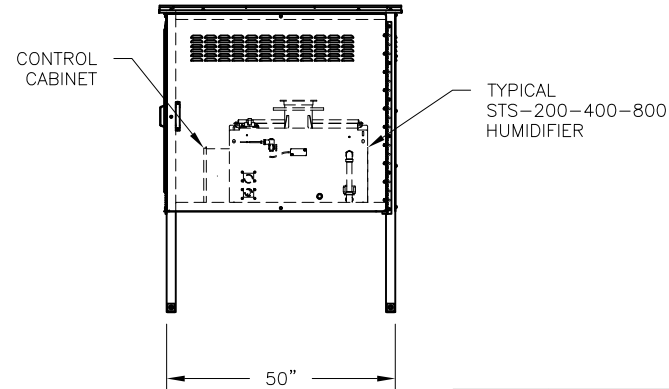
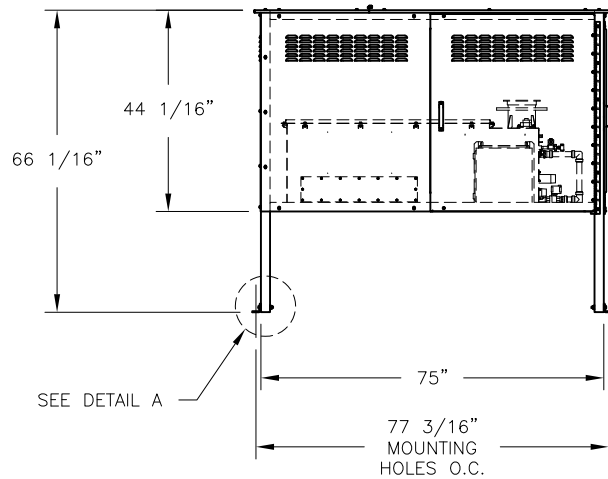
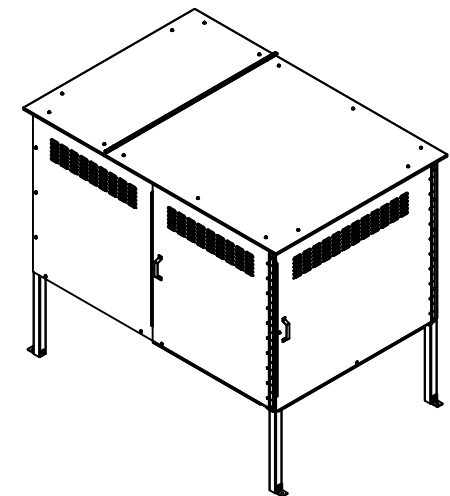
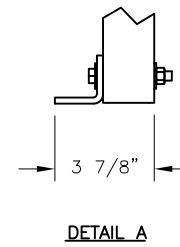
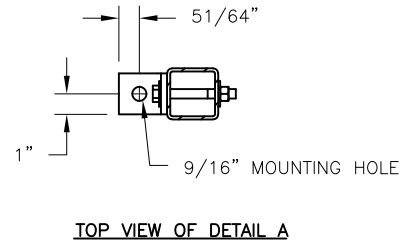
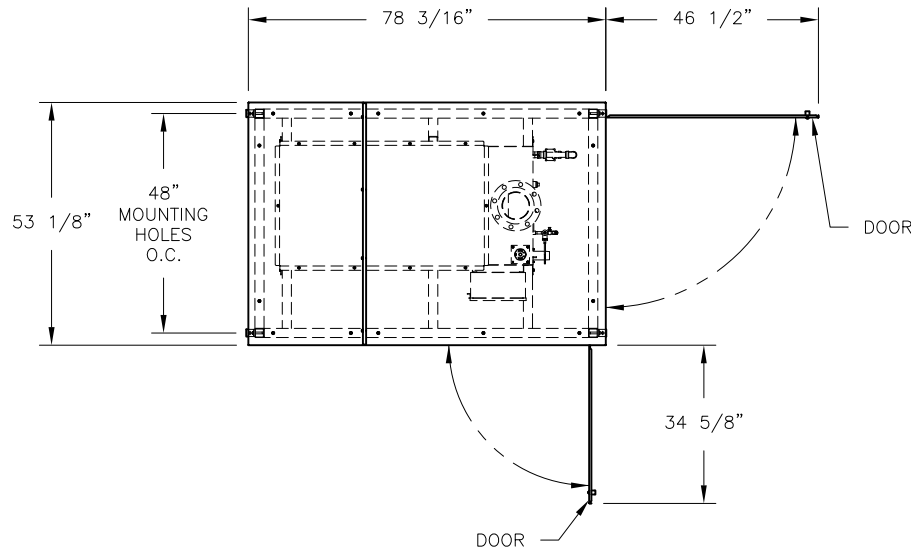


CONFIDENTIAL

DATE	REV	RECORD	DR
2/23	A	SUBMITTAL	JK



		STS-200-400-800 WEATHER COVER	
		MAT'L:	P/N
SCALE:	1:42	DRAWN BY: JK	
DATE:	2/14/23	GENERIC SUBMITTAL	