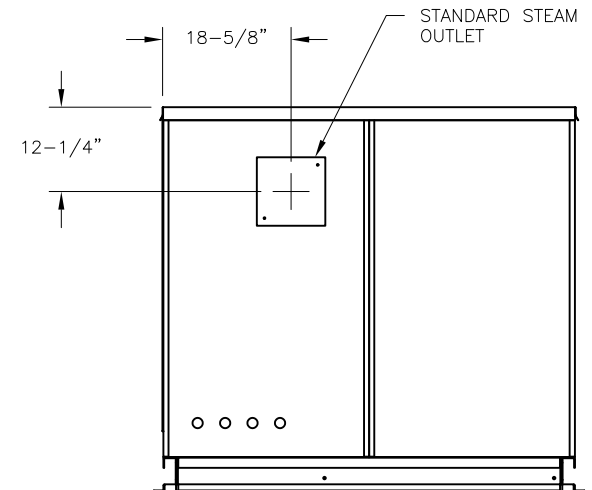
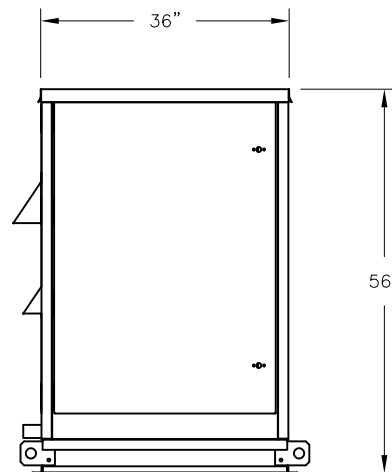
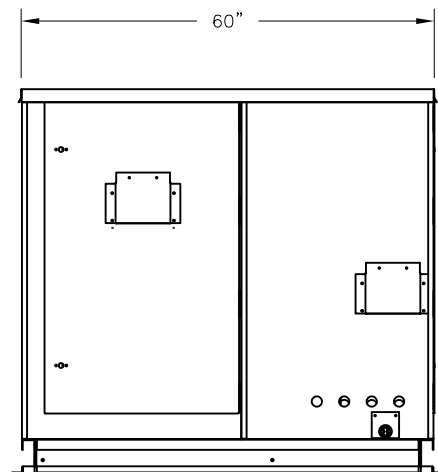
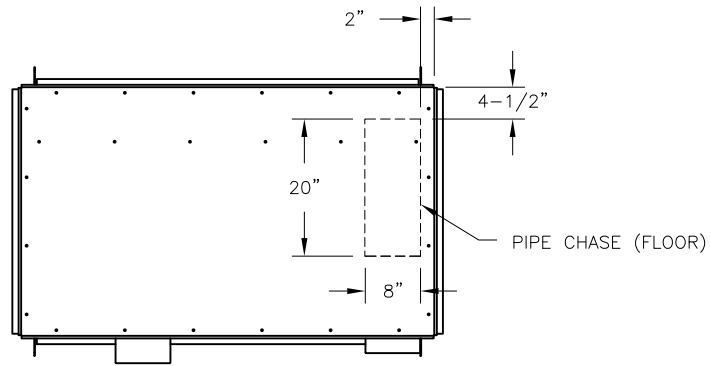


CONFIDENTIAL

DATE	REV	RECORD	DR
8/21	A	SUBMITTAL	JK



	STS 25/50/100 OUTDOOR ENCLOSURE,	
	MAT'L:	P/N
	SCALE: 1:28 DRAWN BY: JK DATE: 8/4/21	GENERIC SUBMITTAL