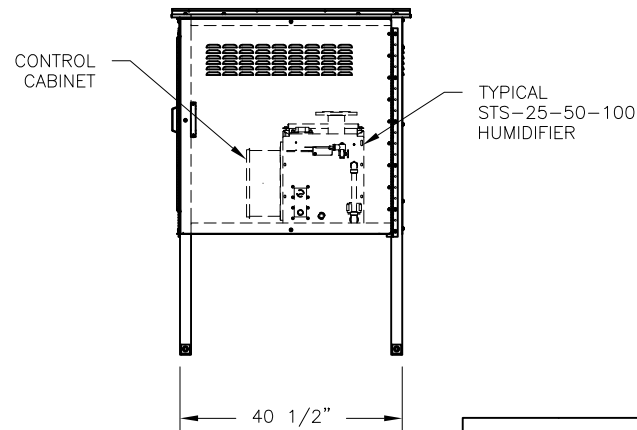
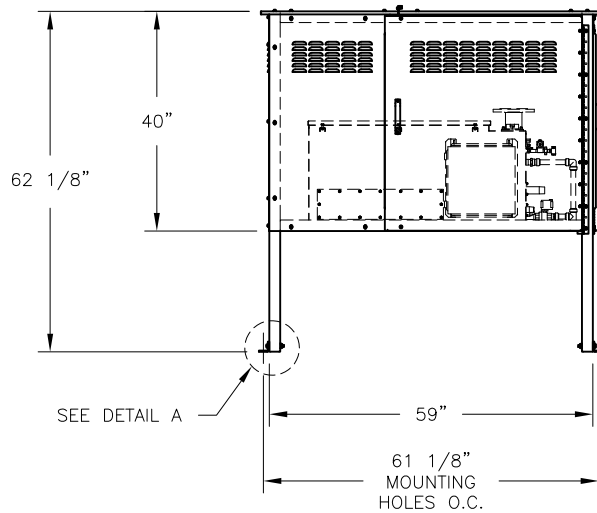
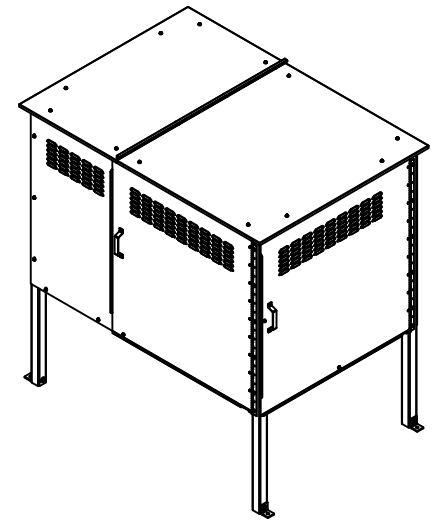
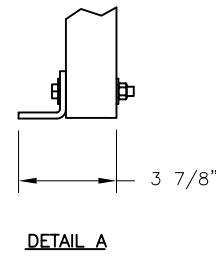
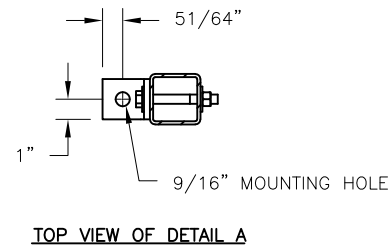
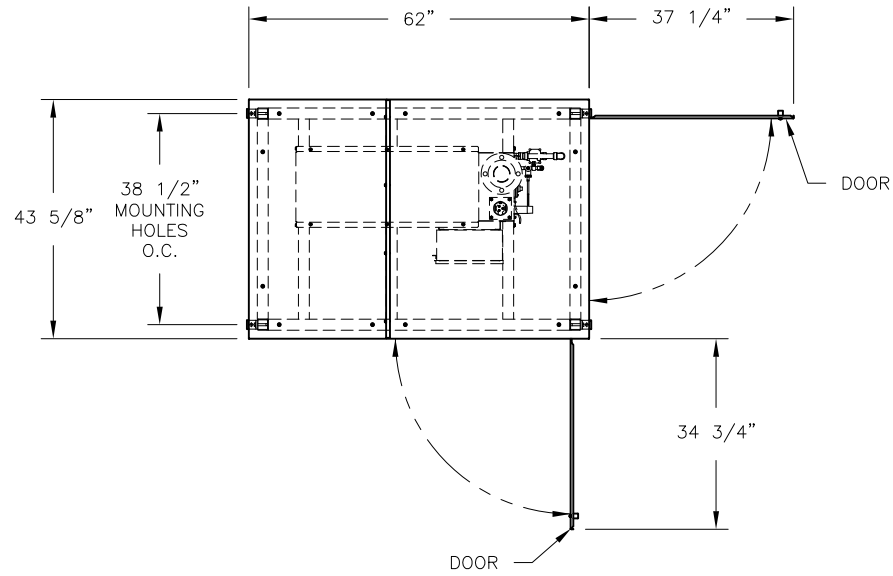


CONFIDENTIAL

DATE	REV	RECORD	DR
2/23	A	SUBMITTAL	JK



		STS-25-50-100 WEATHER COVER	
		MAT'L:	P/N
SCALE:	1:35	GENERIC SUBMITTAL	
DRAWN BY:	JK		
DATE:	2/14/23		