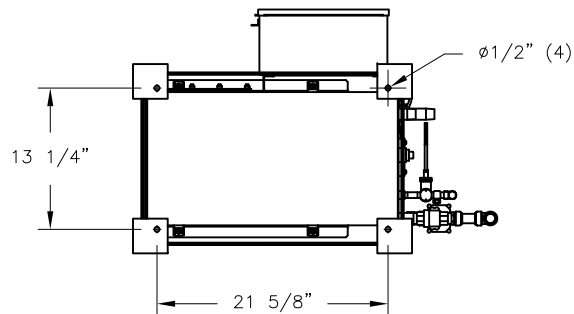
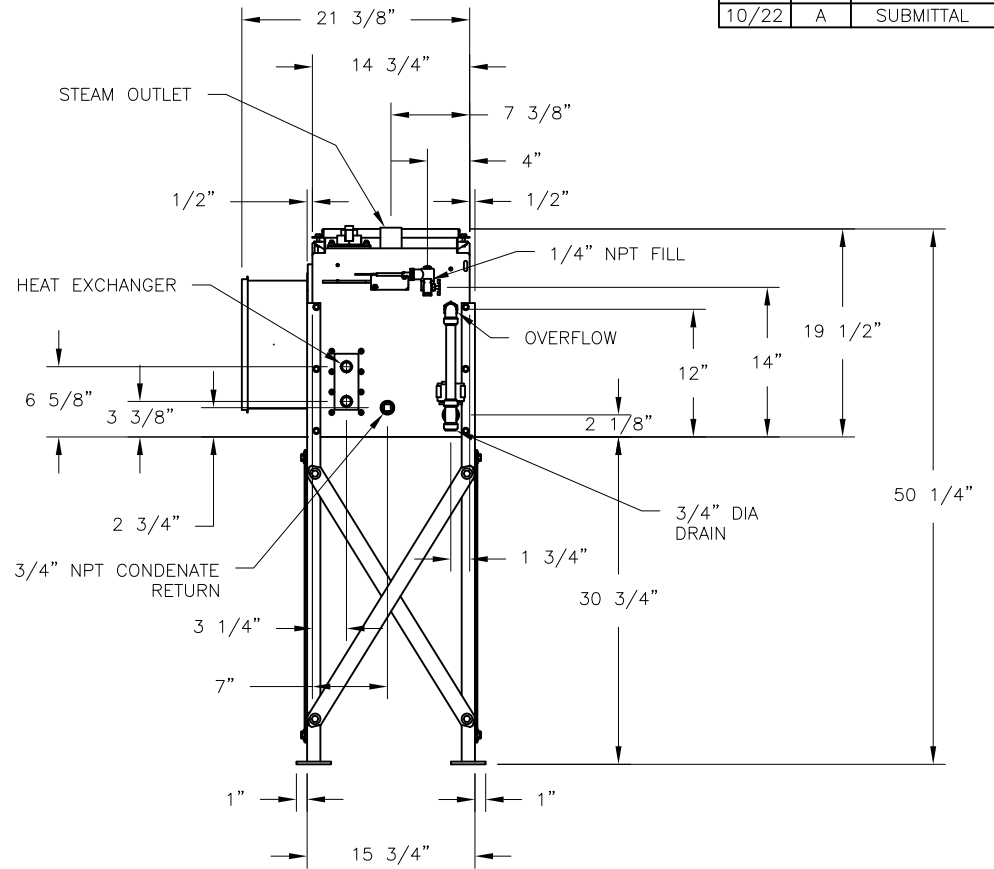
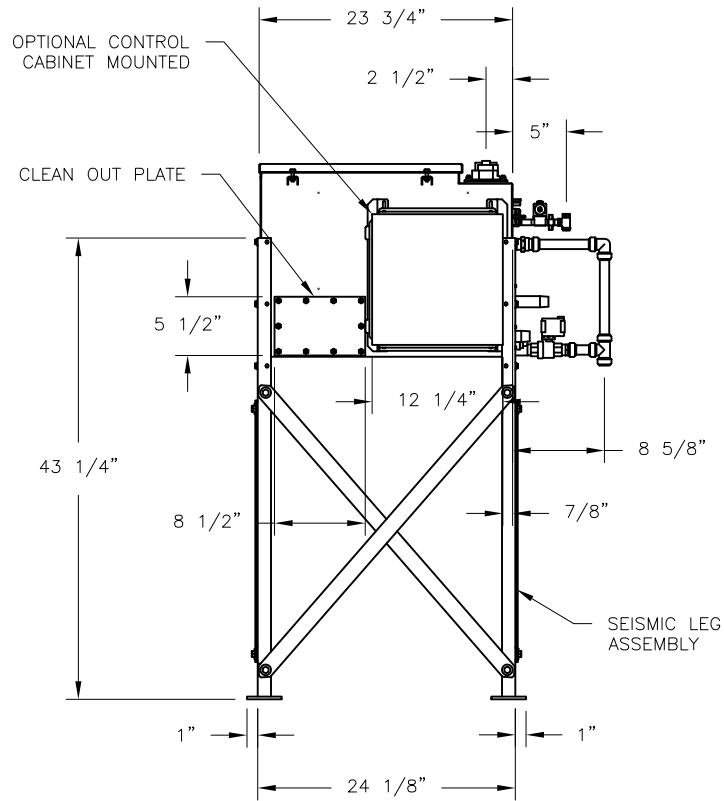


CONFIDENTIAL

DATE	REV	RECORD	DR
10/22	A	SUBMITTAL	JK



	STS-25 SEISMIC LEGS	
	MAT'L:	
	SCALE: 1:18	P/N
	DATE: 10/7/22	GENERIC SUBMITTALS