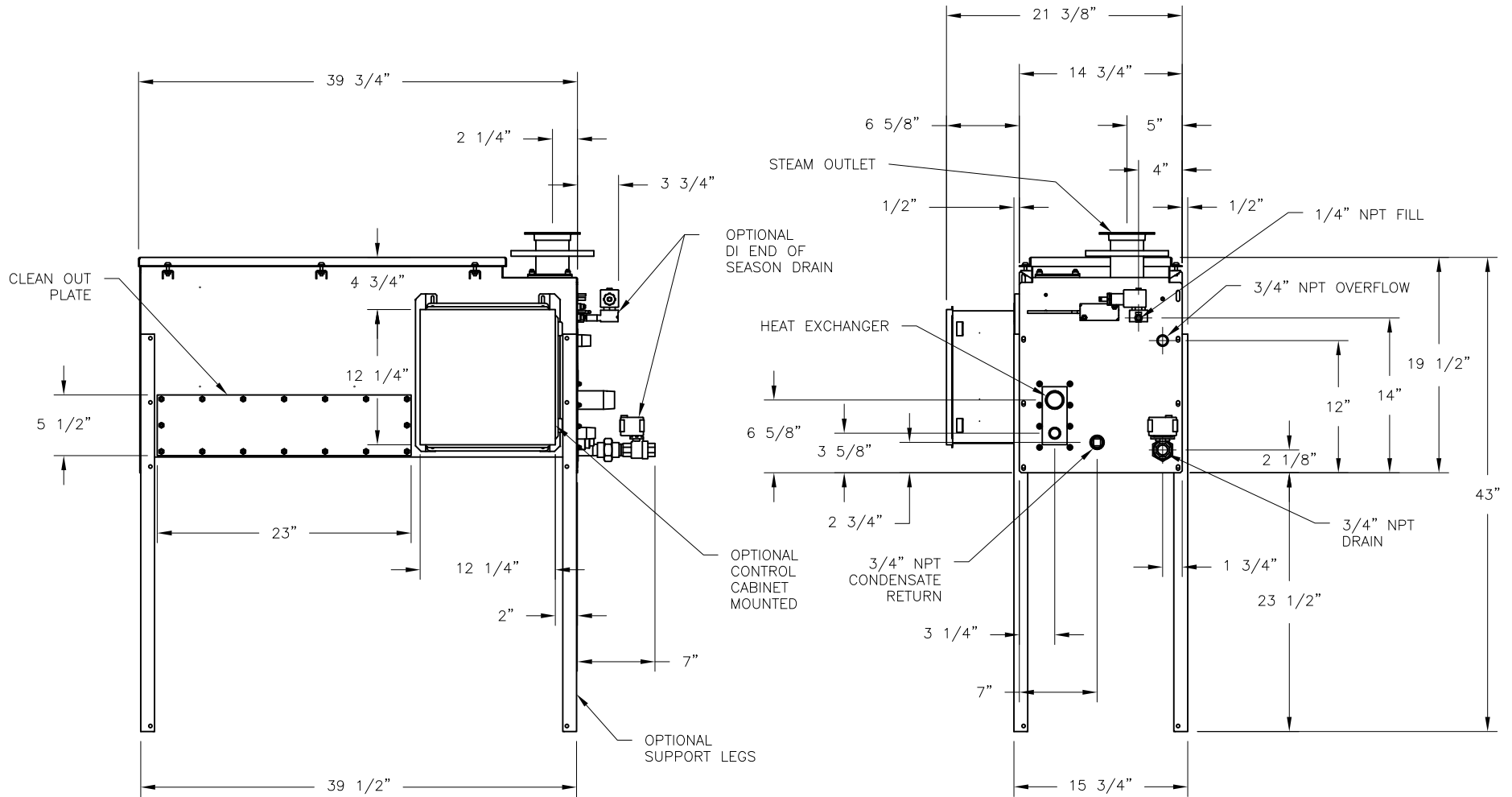



CONFIDENTIAL

DATE	REV	RECORD	DR
6/22	A	SUBMITTAL	JK



		STS-50 DI END OF SEASON	
		MAT'L:	P/N
SCALE:	1:14	GENERIC SUBMITTAL	
DRAWN BY:	JK		
DATE:	6/16/22		