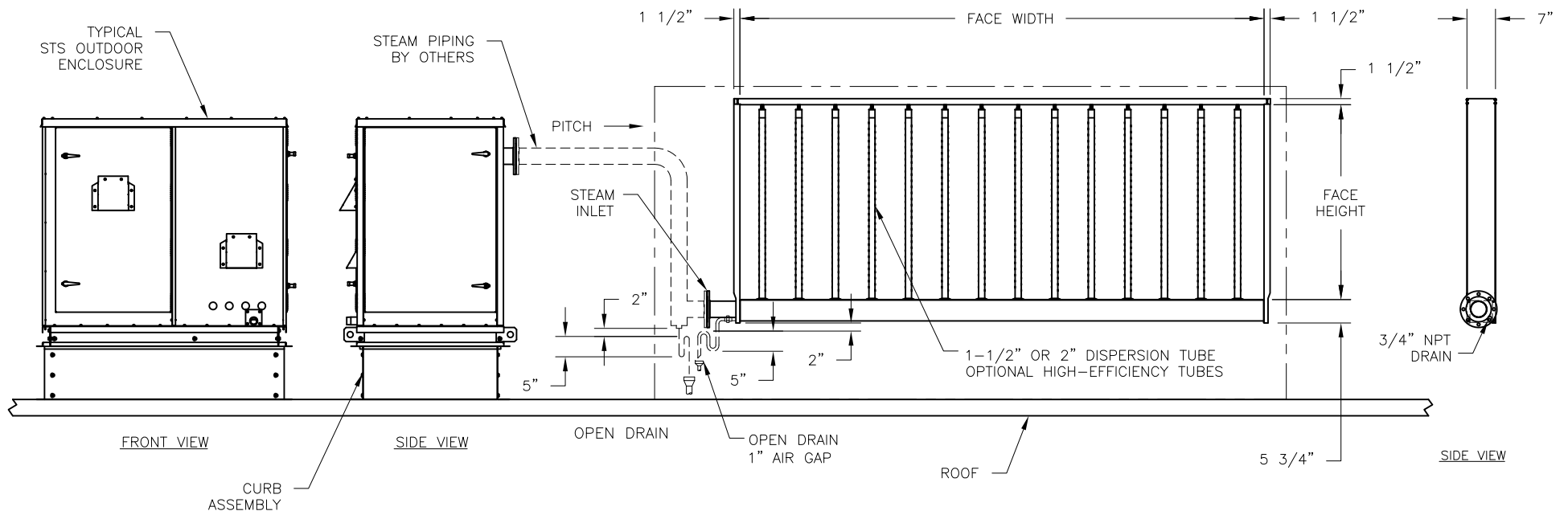


CONFIDENTIAL

DATE	REV	RECORD	DR
1/22	A	SUBMITTAL	JK



	STS OUTDOOR WITH ULTRA-SORB MP	
	MAT'L:	
	SCALE: 1:38	P/N
	DATE: 1/5/22	GENERIC SUBMITTAL