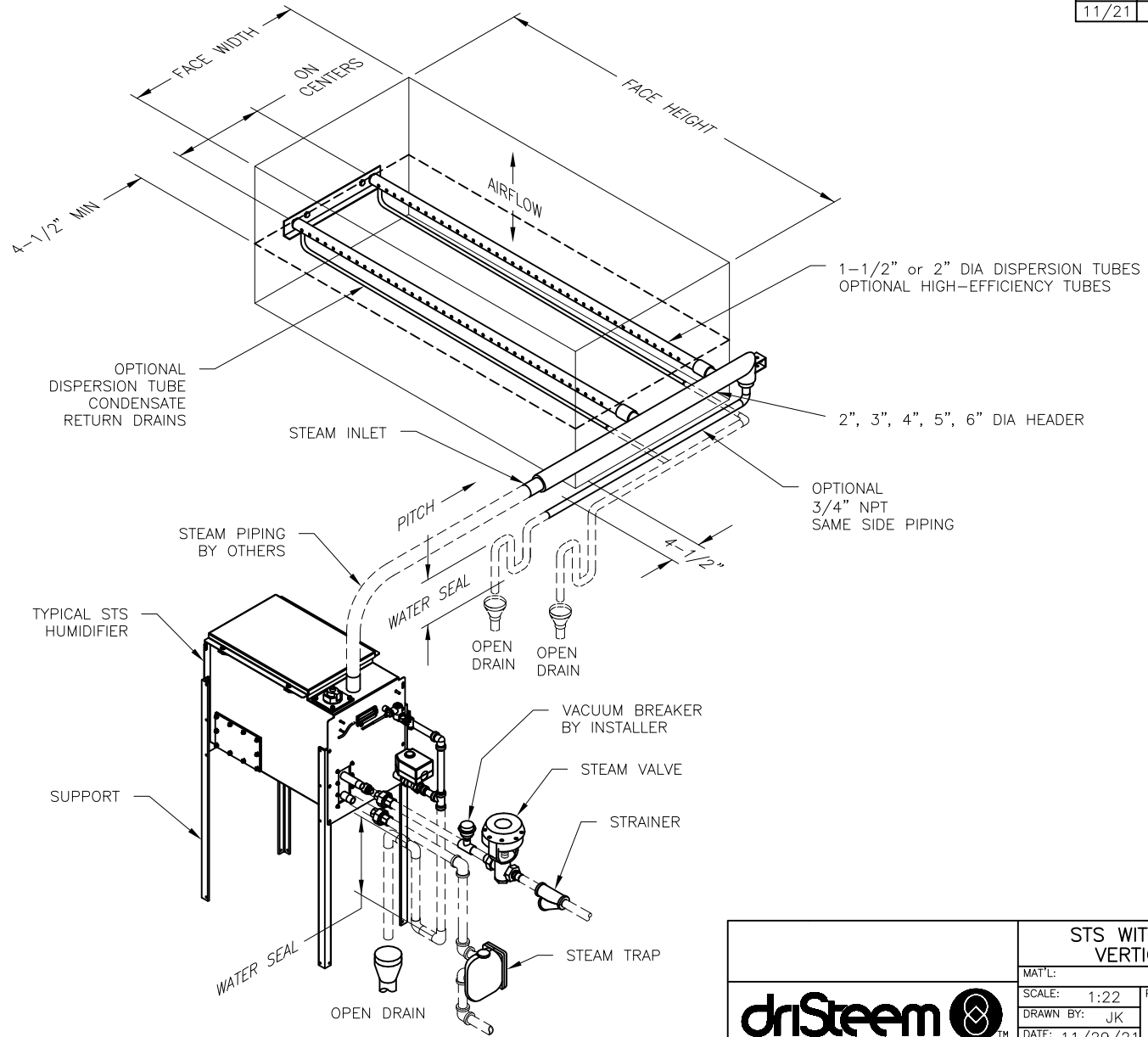



CONFIDENTIAL

DATE	REV	RECORD	DR
11/21	A	SUBMITTAL	JK



		STS WITH RAPID-SORB VERTICAL AIRFLOW	
		MAT'L:	P/N
SCALE: 1:22	DRAWN BY: JK		GENERIC SUBMITTAL
DATE: 11/29/21			