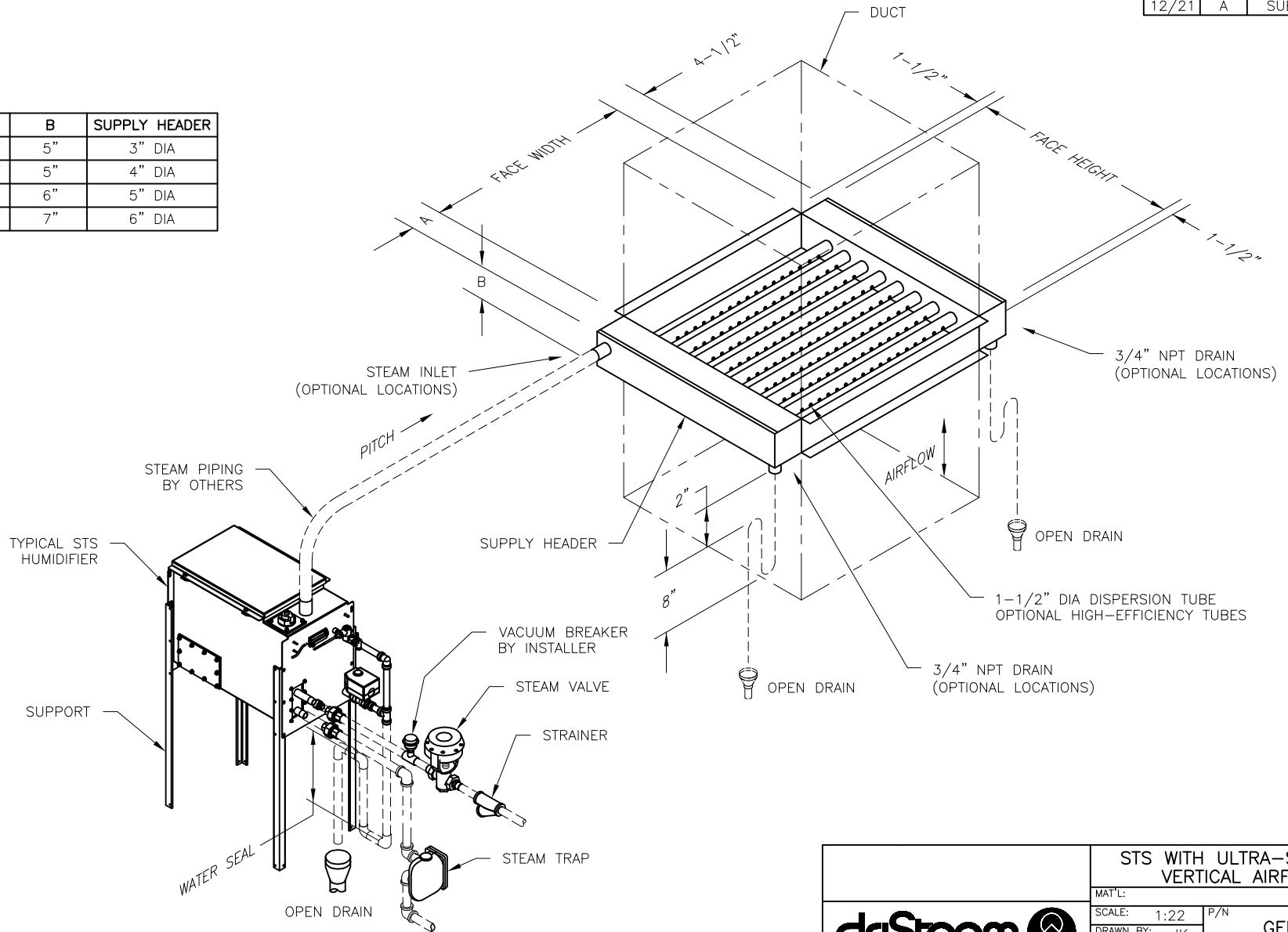


CONFIDENTIAL

DATE	REV	RECORD	DR
12/21	A	SUBMITTAL	JK

A	B	SUPPLY HEADER
4-1/2"	5"	3" DIA
5-1/2"	5"	4" DIA
6-1/2"	6"	5" DIA
7-1/2"	7"	6" DIA



		STS WITH ULTRA-SORB LH VERTICAL AIRFLOW	
		MAT'L:	
SCALE: 1:22	P/N	GENERIC SUBMITTAL	
DRAWN BY: JK			
DATE: 12/13/21			